

UP-FLOW CASED COILS AS(P)-A & AS (P)-M



STANDARD FEATURES

EMBOSSED GALVANIZED STEEL CASE
HEAVY RIFLED COPPER TUBING
ALUMINUM FINS
LOW CORROSION ALUMINUM END PLATES
PRESSURE TESTED TO 450 LBS.
DUAL RATED FOR R-22 AND R-410a
STANDARD POLYMER DRAIN PAN
INSULATED CABINET WITH
REDUCED FIBERGLASS EXPOSURE
INDENTED CABINET PANELS
EASY OPENING FRONT ACCESS PANEL
PITCHED DRAIN PAN WITH
LOWER HEAT SHIELD
METERING DEVICE ACCESSIBLE FROM
CABINET EXTERIOR



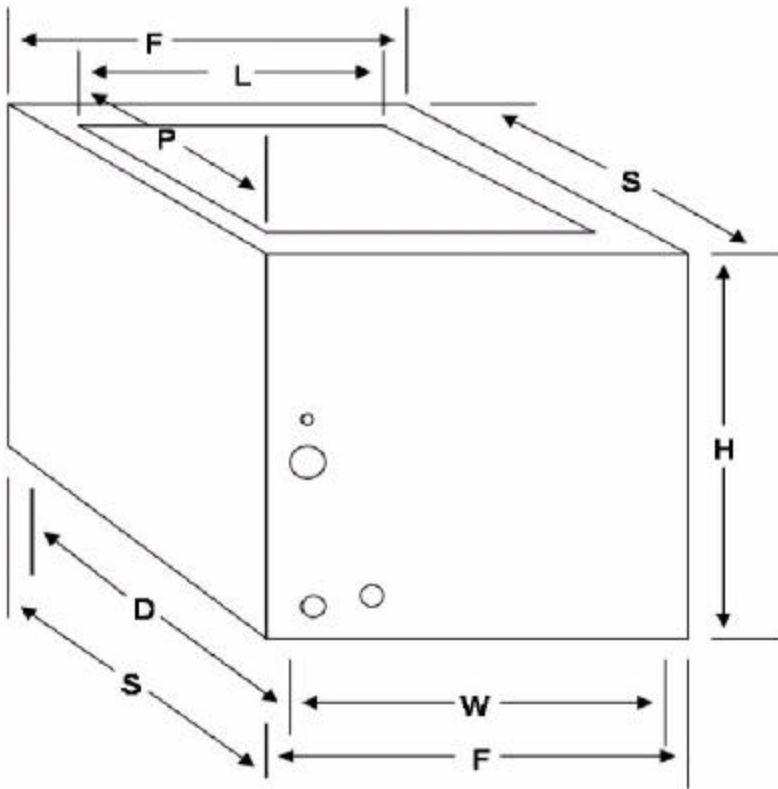
OPTIONAL FEATURES

PAINTED CASE WITH A CHOICE OF COLORS
RIGHT HAND DRAIN CONNECTIONS
RIGHT HAND REFRIGERANT CONNECTIONS
GALVANIZED STEEL OR NYLON DRAIN PANS
A CHOICE OF THERMAL EXPANSION VALVES
HEAT PUMP (P) COMPATIBLE
19 DIFFERENT CABINET SIZES
ANTI-MICROBIAL DRAIN PANS



**5-YEAR LIMITED WARRANTY AGAINST COIL LEAKAGE
5-YEAR LIMITED WARRANTY AGAINST DRAIN PAN BREAKAGE
1-YEAR LIMITED PARTS WARRANTY**

UP-FLOW CASED COILS AS(P)-A & AS (P)-M



Specify coil width needed when ordering.

Example: ASUC24-A264T+D-5LH

Specify left or right hand refrigerant and drain connections.

Example: ASUC24-A264T+D-5 LH

To specify a heat pump coil, when ordering add "P" (heat pump) in the coil model number.

Example: ASUCP24-A264T+D-5LH

3/4" MPT primary & secondary drain connections are standard

3/8" liquid line connection

Suction line connections

1.5 to 3.0 ton 3/4"

3.5 to 5.0 ton 7/8"

CABINET DIMENSIONS

Cabinet Model Number	Uncased Coil Depth	Uncased Coil Width	Cabinet Width "F"	Cabinet Depth "S"	Leaving Air Width "L"	Leaving Air Depth "P"	Entering Air Width "W"	Entering Air Depth "D"	Cabinet Height
5S	21.00"	13.00"	13.50"	21.50"	11.75"	19.75"	12.25"	20.25"	***
5	21.00"	13.00"	14.50"	21.50"	12.75"	19.75"	13.00"	20.25"	***
5G	21.00"	13.00"	14.00"	21.50"	12.25"	19.75"	12.75"	20.25"	***
6	21.00"	15.00"	16.50"	21.50"	14.75"	19.75"	15.25"	20.25"	***
6S	21.00"	17.00"	17.25"	21.50"	15.50"	19.75"	16.00"	20.25"	***
6A	21.00"	17.00"	18.00"	21.50"	16.25"	19.75"	16.75"	20.25"	***
6H	21.00"	15.00"	15.50"	21.50"	13.75"	19.75"	14.50"	20.25"	***
6G	21.00"	17.00"	17.50"	21.50"	15.75"	19.75"	16.25"	20.25"	***
6R	21.00"	17.00"	17.50"	21.50"	15.75"	19.75"	16.25"	20.25"	***
7	21.00"	17.00"	18.50"	21.50"	16.75"	19.75"	17.25"	20.25"	***
7H	21.00"	17.00"	19.13"	21.50"	17.38"	19.75"	18.13"	20.25"	***
8S	21.00"	20.00"	20.50"	21.50"	18.75"	19.75"	19.25"	20.25"	***
8	21.00"	21.00"	21.25"	21.50"	19.50"	19.75"	20.25"	20.25"	***
8A	21.00"	24.00"	24.50"	21.50"	22.75"	19.75"	13.50"	20.25"	***
8G	21.00"	21.00"	21.00"	21.50"	19.25"	19.75"	20.00"	20.25"	***
8H	21.00"	21.00"	22.75"	21.50"	21.00"	19.75"	21.75"	20.25"	***
8Y	21.00"	21.00"	22.25"	21.50"	20.50"	19.75"	20.00"	20.25"	***
9	21.00"	24.00"	25.50"	21.50"	23.75"	19.75"	24.25"	20.25"	***
9G	21.00"	24.00"	24.50"	21.50"	22.75"	19.75"	23.50"	20.25"	***

*** Cabinet Height will vary depending on the coil used
Specifications subject to change without notice