

AllStyle Parts Book

Coil Parts and Accessories

AllStyle Drain Pans.....	1
AllStyle Piston Chart.....	4
AllStyle Expansion Valve & Tail Piece Kits.....	5

Air Handler Parts By Model

AH Series

AH Series Exploded View.....	6
AHB, AHF, AHK, AHL Parts List.....	7
AHBW, AHFW, AHKW Exploded View.....	9
AHBW, AHFW, AHKW Parts List.....	10

EFM / ELB Series

EFM, ELB Exploded View.....	11
WFM, WLB Exploded View.....	12
EFM, ELB, WLB, WFG Parts List	13

SL / BL Series

SL, BL, SLD, BLD Exploded View.....	14
SL, BL, SLD, BLD Parts List.....	15
SLW, BLW, SLDW, BLDW Exploded View.....	17
SLW, BLW, SLDW, BLDW Parts List.....	18
SLH, BLH Parts List.....	20

VL / VLX Series

VL, VLX Exploded View.....	22
VL, VLX Parts List.....	23
VLW, SLHW, BLHW Exploded View.....	25
VLW, SLHW, BLHW Parts List.....	26

HF Series

HFD, HFP Parts List.....	28
--------------------------	----

AllStyle Parts By Component

Parts Index.....	30
Component Parts List.....	31

AllStyle Drain Pans

"A" Configuration Cased Coil Drain Pans

Cabinet #	Drain Pan Meas W x H	Drain Connections	Plastic Pan Number	Metal Pan Number
5 / 5S	13-1/4 x 21	Right	41001	41050
5 / 5S	13-1/4 x 21	Left	41002	41051
6 / 6H	15 x 21	Right	41003	41052
6 / 6H	15 x 21	Left	41004	41053
6A / 6R / 6S	17 x 21	Right	41005	41054
6A / 6R / 6S	17 x 21	Left	41006	41055
7 / 7H	18-1/4 x 21	Right	41011	41060
7 / 7H	18-1/4 x 21	Left	41012	41061
8S	20 x 21 old	Right	41013	41062
8S	20 x 21 old	Left	41014	41063
8 / 8H / 8Y	21 x 21 new	Right	41015	41066
8 / 8H / 8Y	21 x 21 new	Left	41016	41067
8A / 9	24 x 21	Right	41023	41064
8A / 9	24 x 21	Left	41024	41065

"M" Configuration Cased Coil Drain Pans

Cabinet #	Drain Pan Meas W x H	Drain Connections	Plastic Pan Number	Metal Pan Number
5 - M1	13-1/4 x 21	Right - 1 Row	42001	42050
5 - M1	13-1/4 x 21	Left 1 Row	42002	42051
6-M1 / 6H-M1	15 x 21	Right - 1 Row	42003	42052
6-M1 / 6H-M1	15 x 21	Left 1 Row	42004	42053
6A-M1 / 6R-M1 / 7-M1 / 7H-M1	17 x 21	Right - 1 Row	42005	42054
6A-M1 / 6R-M1 / 7-M1 / 7H-M1	17 x 21	Left 1 Row	42007	42056
6A-M2 / 6R-M2 / 7-M2 / 7H-M2	17 x 21	Right - 2 Row	42006	42055
6A-M2 / 6R-M2 / 7-M2 / 7H-M2	17 x 21	Left 2 Row	42008	42057
8-M1 / 8Y-M1 / 8H-M1	20 x 21	Right - 1 Row	42021	42072
8-M1 / 8Y-M1 / 8H-M1	20 x 21	Left 1 Row	42023	42074
8-M2 / 8Y-M2 / 8H-M2	20 x 21	Right - 2 Row	42022	42073
8-M2 / 8Y-M2 / 8H-M2	20 x 21	Left 2 Row	42024	42075
8A-M1 / 8A-M2 / 9-M2	24 x 21	Right - 2 Row	42033	42084
8A-M1 / 8A-M2 / 9-M2	24 x 21	Left 2 Row	42034	42085

* Drain pan for M Coil is based on cabinet used, the number of rows in the coil and cabinet size

"A" Configuration Un-Cased Coil Drain Pans

Cabinet #	Drain Pan Meas W x H	Drain Connections	Plastic Pan Number	Metal Pan Number
U5	13-1/4 x 19-1/4	Right	43001	43050
U5	13-1/4 x 19-1/4	Left	43002	43051
U6 / U6H	15 x 19-1/4	Right	43003	43052
U6 / U6H	15 x 19-1/4	Left	43004	43053
U6A / U6R / U7 / U7H	17 x 19-1/4	Right	43005	43054
U6A / U6R / U7 / U7H	17 x 19-1/4	Left	43006	43055
U8 / U8H / U8Y	20 x 19-1/4	Right	43015	43064
U8 / U8H / U8Y	20 x 19-1/4	Left	43016	43065
U8A / U9	24 x 19-1/4	Right	43023	43066
U8A / U9	24 x 19-1/4	Left	43024	43067

"M" Configuration Un-Cased Coil Drain Pans

Cabinet #	Drain Pan Meas W x H	Drain Connections	Plastic Pan Number	Metal Pan Number
U5-M1	13-1/4 x 19-1/4	Right - 1 Row	44001	44050
U5-M1	13-1/4 x 19-1/4	Left - 1 Row	44002	44051
U6-M1 / U6H-M1	15 x 19-1/4	Right - 1 Row	44003	44052
U6-M1 / U6H-M1	15 x 19-1/4	Left - 1 Row	44004	44053
U6A-M1 / U6R-M1 / U7-M1 / U7H-M1	17 x 19-1/4	Right - 1 Row	44005	44054
U6A-M1 / U6R-M1 / U7-M1 / U7H-M1	17 x 19-1/4	Left - 1 Row	44007	44056
U6A-M2 / U6R-M2 / U7-M2 / U7H-M2	17 x 19-1/4	Right - 2 Row	44006	44055
U6A-M2 / U6R-M2 / U7-M2 / U7H-M2	17 x 19-1/4	Left - 2 Row	44008	44057
U8-M1 / U8H-M1 / U8Y-M1	20 x 19-1/4	Right - 1 Row	44021	44070
U8-M1 / U8H-M1 / U8Y-M1	20 x 19-1/4	Left - 1 Row	44023	44072
U8-M2 / U8H-M2 / U8Y-M2	20 x 19-1/4	Right - 2 Row	44022	44071
U8-M2 / U8H-M2 / U8Y-M2	20 x 19-1/4	Left - 2 Row	44024	44073
U8A-M1	24 x 19-1/4	Right - 1 Row	44033	44082
U8A-M1	24 x 19-1/4	Left - 1 Row	44035	44084
U8A-M2 / U9-M2	24 x 19-1/4	Right - 2 Row	44034	44083
U8A-M2 / U9-M2	24 x 19-1/4	Left - 2 Row	44036	44085

* Drain pan for M Coil is based on cabinet used, the number of rows in the coil and cabinet size

AllStyle Drain Pans

Plenum Coil and Dedicated Horizontal Drain Pans

Cabinet #	Drain Pan Meas W x H	Pan Material	Plastic Pan Number	Metal Pan Number
ASFM / ASLB / ASKM	18-1/2 x 28 (1995)	Polycarbon	45001	
ASFM / LB Old Style	LB: 18-1/2x33 FM & KM 18-1/2x35	Stainless Steel		45002
FMDH / LBDH / ASLT	18-1/2 x 21-3/4	Polycarbon	46001	
FM / LB / KM Safety Aux Pan	21-1/2 x 36	Polypropylene	46002	
FMDH/LBDH Safety Aux Pan	22 x 26	Polypropylene	46003	
ASDH	21 x 21	Aluminized Steel		49001
StyleQuest <20" High Coil	21 x 21 (Replacement Use)	Polycarbon	49002	
StyleQuest (20, 22, 24" High Coil)	21 x 27	Polycarbon	49003	
StyleQuest (16-18" Coil)	21 x 24 RH (Jun 99)	Polycarbon	49004	
StyleQuest (16-18" Coil)	21 x 24 LH (Nov 99)	Polycarbon	49005	
StyleQuest (12-14" Coil)	20 x 21 RH (May 00)	Polycarbon	49010	
StyleQuest (12-14" Coil)	20 x 21 LH (May 00)	Polycarbon	49011	

ASH Standard Horizontal Drain Pans

Cabinet # / or Tonnage	Drain Pan Meas W x H	Pan Material	Plastic Pan Number	Metal Pan Number
H5 (10")	9-1/2 x 21		47010	47001
H5B (10")	9-1/2 x 23		47011	47002
H6 (10")	9-1/2 x 29		47012	47003
H6B (10")	9-1/2 x 31		47014	47005
H7 (10")	9-1/2 x 35		47015	47006
H5 (6")	5-1/2 x 21	Metal Only		48001
H5B (6")	5-1/2 x 23	Metal Only		48002
H6 (6")	5-1/2 x 29	Metal Only		48003
H6B (6")	5-1/2 x 31	Metal Only		48004
H7 (6")	5-1/2 x 35	Metal Only		48005
ASH24-20Z2T	9-1/2 x 29		47012	47003
ASH36-30Z2T / ASH48-30Z4T	9-1/2 x 31		47014	47005

ASHL Horizontal Drain Pans

Tonnage	Drain Pan Meas W x H	Pan Material	Plastic Pan Number	Metal Pan Number
24 - 36 Ton (10")	9-1/2 x 29		47012	47003
48 - 60 Ton (10")	9 1/2 x 31		47014	47005
24 - 36 Ton (6")	5-1/2 x 29	Metal Only		48003
48 - 60 Ton (6")	5-1/2 x 31	Metal Only		48004

ATCH Horizontal Drain Pans

Tonnage	Drain Pan Meas W x H	Pan Material	Plastic Pan Number	Metal Pan Number
24 -36 Ton (10")	9-1/2 x 23	Metal Only		47002
48 - 60 Ton (10")	9-1/2 x 31	Metal Only		47005

ASLBH Horizontal Drain Pans

Tonnage	Drain Pan Meas W x H	Pan Material	Plastic Pan Number	Metal Pan Number
24 - 36 (10")	9-1/2 x 26		47013	47004
48 - 60 (10")	9-1/2 x 35		47015	47006
24 - 36 (6")	5-1/2 x 21	Metal Only		48001
48 - 60 (6")	5-1/2 x 35	Metal Only		48005

ASRSP Replacement Coil Drain Pans

Tonnage	Drain Pan Meas W x H	Pan Material	Plastic Pan Number	Metal Pan Number
ASRSP 24	16 x 19		51005	51001
ASRSP 30 - 36	16 x 21		51006	51002
ASRSP 48 - 60	21 1/2 x 23		51007	51003

ASUM Mobile Home Replacement Coil Drain Pans

Coil Description	Drain Pan Meas W x H	Part Description	Plastic Pan Number	Metal Pan Number
Mobile "M" 1 Row	18-1/4 x 19-1/2 x 2		54001	
Mobile "M" 2 Row	18-1/4 x 19-1/2 x 4		54002	
Mobile "A"	18-1/4 x 19 1/2	3/4" Spigot Conn.	54003	
Mobile "A"	18-1/4 x 19 1/2	3/4" Thread Conn.	54004	
Mobile "A" or "M"	3/8" Elbow		54010	
Mobile "A" or "M"	3/8" x 16" long	Clear Tubing	54011	

AllStyle Drain Pans

ASH Commercial Horizontal Drain Pans

Tonnage	Drain Pan Meas W x H	Pan Material	Plastic Pan Number	Metal Pan Number
ASH72X before 10/1/99	9 1/2 x 35	Plastic	47015	
ASH96X before 10/1/99	9 1/2 x 41	Metal		47008
ASH120X before 10/1/99	9 1/2 x 44	Metal		47009
All ASH Commercial after 10/1/99	15 x 44	Plastic	47016	

ASU Commercial Drain Pans

Tonnage	Drain Pan Meas W x H	Pan Material	Plastic Pan Number	Metal Pan Number
ASU72X / ASU96X	41-1/2 x 21	Metal		55001
ASU120X	51-1/2 x 21	Metal		55002
ASU180Y, 224Y	64 x 21	Metal		55007

ASM Commercial Drain Pans

Tonnage	Drain Pan Meas W x H	Pan Material	Plastic Pan Number	Metal Pan Number
ASM90X - ASM102X	41-1/2 x 21 x 4	Metal		55003
ASM112X - ASM146X	51-1/2 x 21 x 4	Metal		55004
Commercial Coil Drain Pan	56 x 72	Metal		55005
ASM92Y, 110Y, 122Y	32 x 21 x 4	Metal		55006

Accessories and Drain Plug

Description	Measurements	Part Number
Drain Plug	3/4 Inch	36001
Downflow ADPT Kit		36010
Drain Pan Splash Shield	StyleQuest Coil	36011

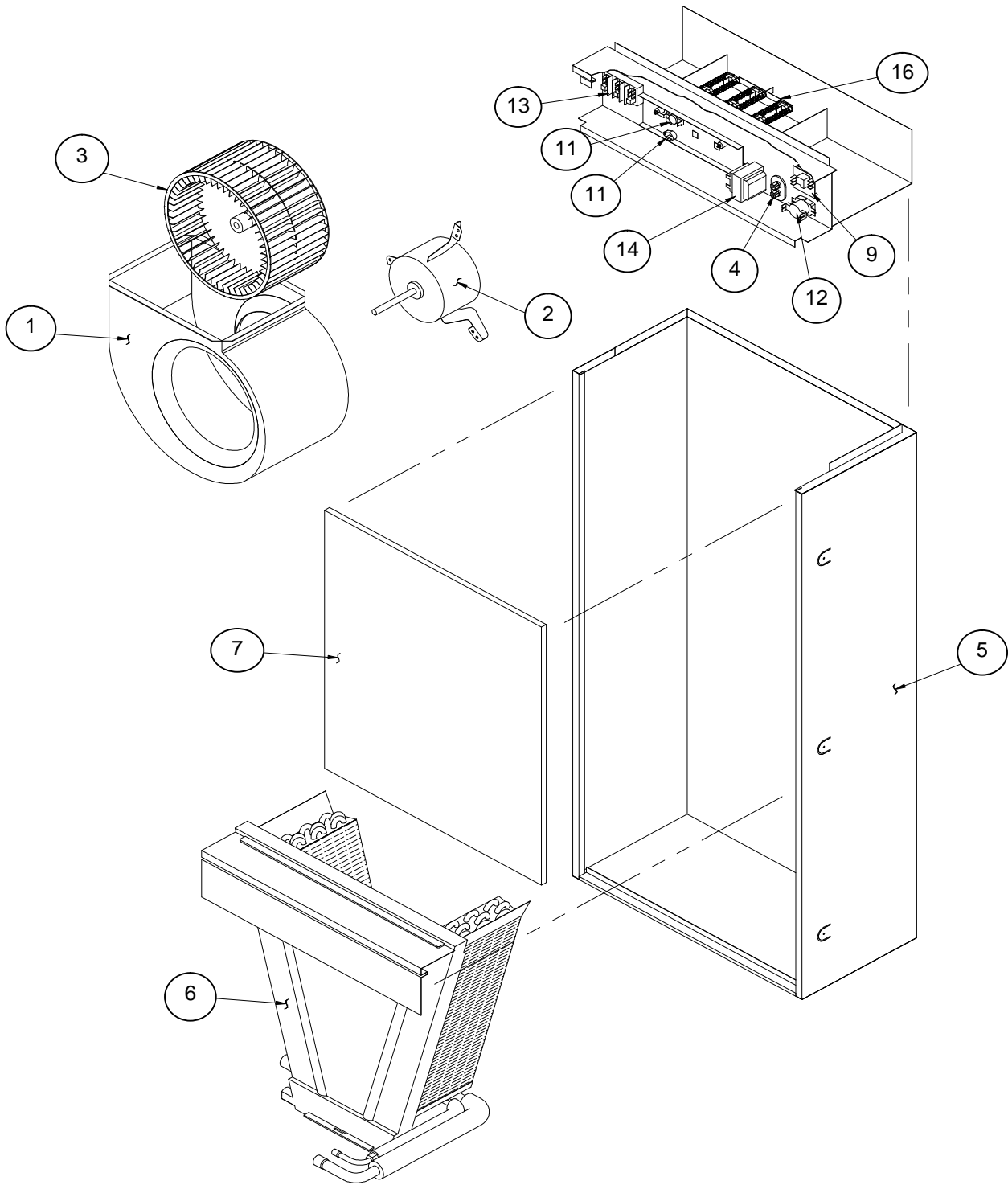
AllStyle Piston Chart

Part Number	Description	Tonnage
AllStyle Piston -10.00 SEER		
26040	Teflon O Ring	
26041	41	1 TON
26047	47	1 1/2 TON
26059	59	2 TON
26063	63	2 1/2 TON
26070	70	3 TON
26074	74	3.5 TON
26082	82	4 TON
26090	90	5 TON
AllStyle Piston - 11/12 SEER		
26053	53	1 1/2 TON
26063	63	2 TON
26067	67	2 1/2 TON
26074	74	3 TON
26078	78	3.5 TON
26084	84	4 TON
26094	94	5 TON
Carrier Pistons		
26095	CDX - 052	2 TON
26096	CDX - 067	2 1/2 TON
26097	CDX - 076	3 TON
26098	CDX - 082	3 1/2 TON
26099	CDX - 086	4 TON
26100	CDX - 090	5 TON
Trane Pistons		
26557	TDX - 057	1.5 - 2 TON
26571	TDX - 071	3 TON
26577	TDX - 077	3 1/2 TON
26583	TDX - 083	4 TON
26592	TDX - 092	5 TON
AllStyle Flowrator Assembly		
19002	2 FEED	
19003	3 FEED	
19004	4 FEED	
19005	5 FEED	
19006	6 FEED	
19007	7 FEED	
19008	8 FEED	
Carrier Flowrator Assembly		
19009	2 FEED	
19010	3 FEED	
19011	4 FEED	
19012	5 FEED	
19013	6 FEED	
19014	7 FEED	
19015	8 FEED	
Trane Flowrator Assembly		
19016	2 FEED	
19017	3 FEED	
19018	4 FEED	
19019	5 FEED	
19020	6 FEED	
19021	7 FEED	
19022	8 FEED	

AllStyle Expansion Valve & Tail Piece Kits

Part Number	Description	Tonnage (BTU)		
		18-36	42-48	60
Expansion Valve - AllStyle (R22) Non-Bleed				
31072	AS2VN3 A/C Only	X		
31077	AS2VN4 A/C Only		X	
31087	AS2VN5 A/C Only			X
31083	AS2VPN3 H/P Only	X		
31084	AS2VPN5 H/P Only		X	X
Expansion Valve - AllStyle (R22) Bleed				
31070	AS2VE3	X		
31085	AS2VE5		X	X
Expansion Valve - AllStyle (R410A) Non-Bleed				
31089	AS4VN3 A/C Only	X		
31091	AS4VN5 A/C Only		X	X
31096	AS4VBN3 A/C 2 SPEED COMP	X		
31097	AS4VBN4 A/C 2 SPEED COMP		X	
31098	AS4VBN5 A/C 2 SPEED COMP			X
31093	AS4VPN3 H/P Only	X		
31095	AS4VPN5 H/P Only		X	X
Expansion Valve - AllStyle (R410A) Bleed				
31088	AS4VE3	X		
31090	AS4VE5		X	X
Expansion Valve - Trane				
31032	TRTX - V3 (AC)	X		
31052	TRTX - V5 (AC)		X	X
31033	TRTXP - V3 (HP)	X		
31053	TRTXP - V5 (HP)		X	X
Expansion Valve - Carrier				
31034	CRTX - V3 (AC)	X		
31054	CRTX - V5 (AC)		X	X
31035	CRTXP - 3 (HP)	X		
31055	CRTXP - 5 (HP)		X	X
Commercial Expansion Valves				
31057	AS2VN10	10 TON ONLY Non-Bleed		
31086	AS2VNE8	6.5 TO 8 TON ONLY Bleed		
Tail Piece Kits Without Pistons				
32001	TPK	Straight		
32002	TPK - 90	Angle		
32051	CDX - TPK	Carrier		
32052	RP - TPK	Trane		

AH Series Exploded View



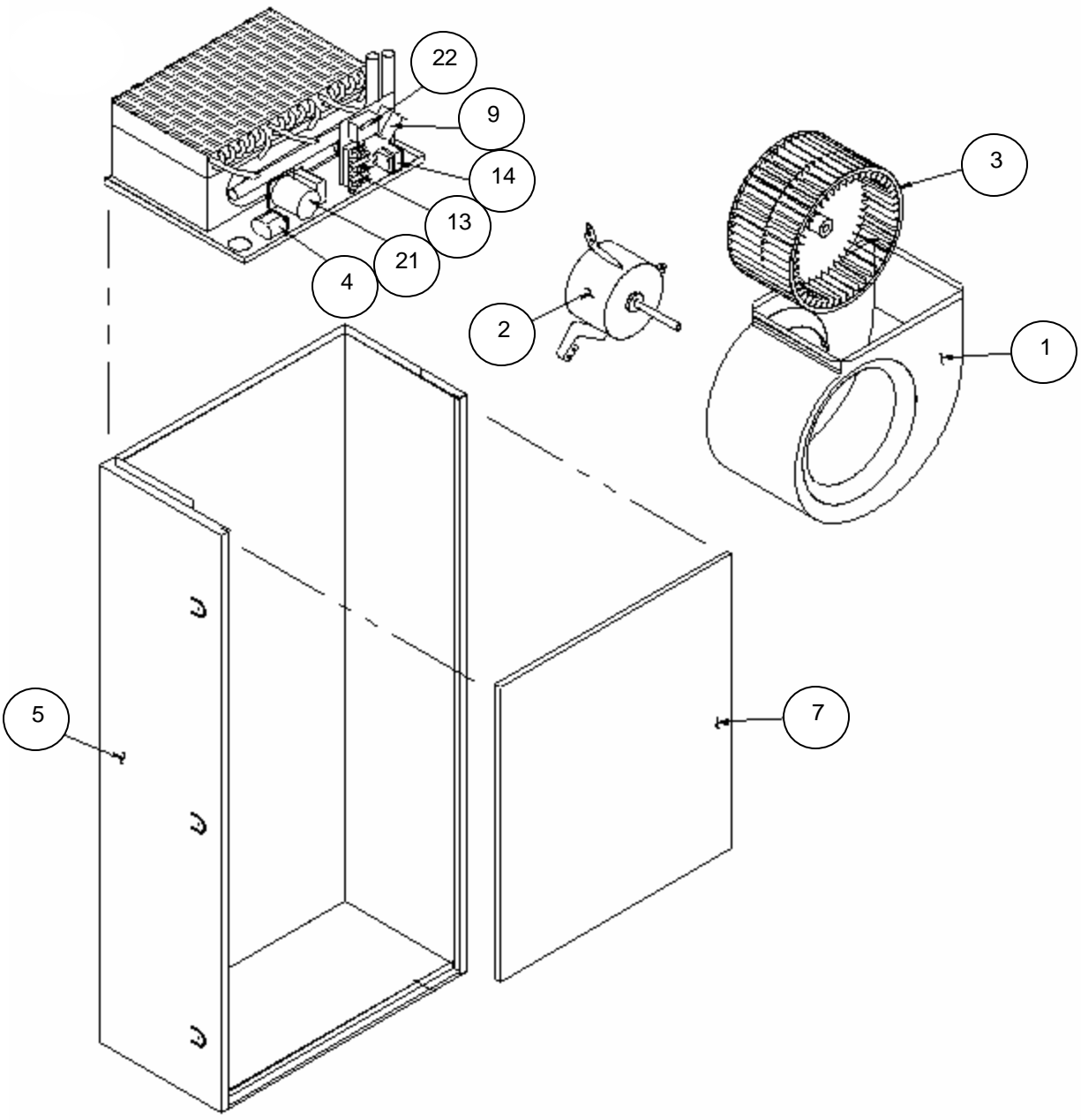
Parts List for AHB, AHF, AHK, AHL

Part Number	Part	Description	Tonnage in BTU					
			12	18	24	30	36	
Blower Group								
1	11010	Housing	6.5 AHB / AHF / AHL	X	X	X		
1	11009	Housing	8.25 AHB / F / K / L				X	X
2	24252	Motor	1/5 HP as of 6/6/2003	X	X	X		
2	24253	Motor	1/4 HP 3 Spd. 230 V				X	
2	24332	Motor	1/3 HP 230 V					X
2	24503	Motor	1/2 HP 2 Spd. 230 V					
3	12104	Wheel	10x4	X	X	X		
3	12106	Wheel	10x6				X	
3	12115	Wheel	11x6					X
4	13005	Capacitor	370 X 5 MFD 1/4 HP	X	X	X	X	
4	13005	Capacitor	370 X 5 MFD 1/2 HP					
4	13075	Capacitor	370V X 7.5 MFD 1/3 HP					X
Cabinet, Drain Pan, and Filter Group								
5	33001	Cabinet	AHB / AHF 47"					
5	33016	Cabinet	AHK 51"					
5	33021	Cabinet	AHL 47"					
5	33022	Cabinet	AHL 51"					
6	15005	Drain Pan	AHB / K / L Metal (End Drain)					
6	15016	Drain Pan	AHK / L Metal					
6	15021	Drain Pan	AHF / K / L - Plastic (Side Drain)					
6	15022	Drain Pan	AHK / AHL Plastic					
6	15026	Drain Pan	Metal (End Drain)					
7	21017	Grille	FA AHB / F / K / L					
7	21018	Grille	FB AHB / F / K / L					
7	21007	Grille	CPG-C (AHB Only)					
7	21008	Grille	CPG-D (AHB Only)					
7	21009	Grille	FA-2 (3-TON) AHK / AHL					
7	21010	Grille	FB-2 (3-TON) AHK / AHL					
7	21038	Grille	ACP-51S-INS Solid*					
7	21039	Grille	ACP-51L Louvered*					
7	21040	Grille	ACP-55S Solid*					
7	21041	Grille	ACP-55L Louvered*					
	21011	Hardware	Grille Screw Kit					
8	18006	Filter	22 x 22 AHF / K / L					
8	18005	Filter	16 x 20					
Electrical Group								
9	22002	Fan Relay	230 V Replaced Part #17001					
9	17002	Fan Relay	230 V Used as of SN #3F19316N					
10	22003	Time Delay Relay	TDR-1					
11	23002	Limit*	60TX01/313821 120 F. *					
								* Two limits required for 8 and 10 KW
12	28001	Sequencer	15SH1 3, 5, 6 KW					
12	28002	Sequencer	15SH2 8, 10KW					
13	29001	Terminal Block	ERB-30G					
14	30001	Transformer	4000-09E7BB757 230V					
15	10030	Breaker	30 AMP 3, 5 KW					
15	10040	Breaker	40 AMP 6 KW					
15	10060	Breaker	60 AMP 8, 10KW					
16	16103	Electric Elements	3 KW					
16	16148	Electric Elements	4.8 KW					
16	16106	Electric Elements	6 KW					
16	16108	Electric Elements	8 KW					
16	16196	Electric Elements	9.6 KW					

Parts List for AHB, AHF, AHK, AHL

Part Number	Part	Description	Tonnage in BTU					
			12	18	24	30	36	
Coil Parts and Accessories								
17	19002	Flowrator Assembly	2 FEED					
17	19003	Flowrator Assembly	3 FEED					
17	19004	Flowrator Assembly	4 FEED					
17	19005	Flowrator Assembly	5 FEED					
17	19006	Flowrator Assembly	6 FEED					
17	19007	Flowrator Assembly	7 FEED					
17	19008	Flowrator Assembly	8 FEED					
18	26041	10 SEER Piston	041 - 1 TON	X				
18	26047	10 SEER Piston	047 - 1 1/2 TON		X			
18	26059	10 SEER Piston	059 - 2 TON			X		
18	26063	10 SEER Piston	063 - 2 1/2 TON				X	
18	26070	10 SEER Piston	070 - 3 TON					X
18	26053	11/12 SEER Piston	053 - 1 1/2 TON		X			
18	26063	11/12 SEER Piston	063 - 2 TON			X		
18	26067	11/12 SEER Piston	067 - 2 1/2 TON				X	
18	26074	11/12 SEER Piston	074 - 3 TON					X
19	31030	Expansion Valves	ASTX - V3 (A/C)	No longer available, see expansion valve parts list				
19	31031	Expansion Valves	ASTXP - V3 (Heat Pump)	No longer available, see expansion valve parts list				
20	32001	Tail Piece	Tail Piece Kit					

AHBW, AHFW, AHKW Exploded View

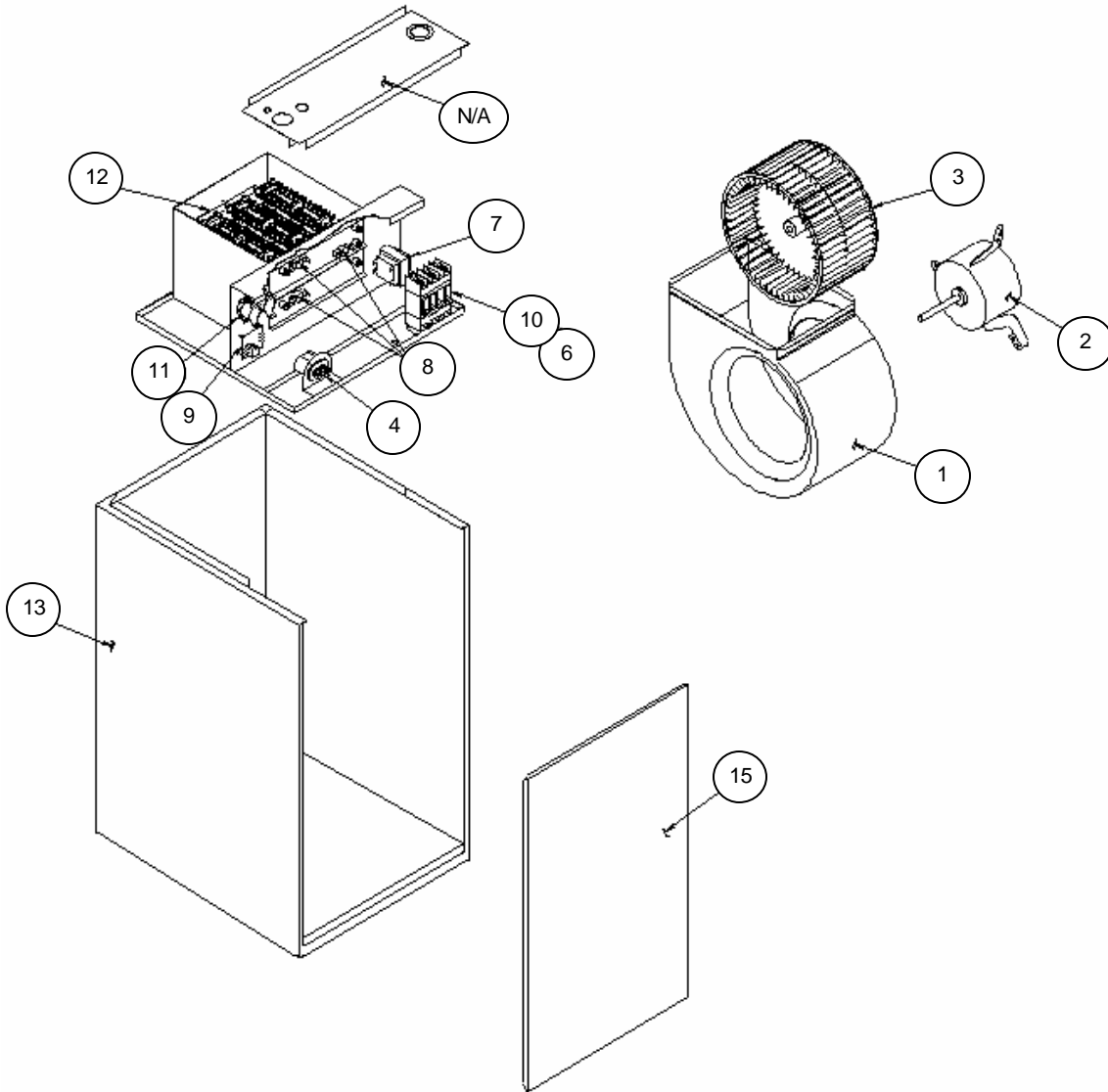


Parts List for AHBW, AHFW, AHKW

Part Number	Part	Description	Tonnage in BTU					
			12	18	24	30	36	
Blower Group								
1	11010	Housing	6.5 AHFW / AHBW	X	X			
1	11009	Housing	8.25 AHFW / AHKW / AHBW			X	X	X
2	24253	Motor	1/4 HP 3 Spd. 230 V (AHBW Only)	X	X	X	X	
2	24332	Motor	1/3 HP 230 V (AHBW Only)					X
2	24503	Motor	1/2 HP 2 Spd. 230 V (AHBW Only)					
2	24254	Motor	1/4 HP 2 SPD. 115 V	X	X	X	AHBW	
2	24334	Motor	1/3 HP 115 V				X	AHBW
2	24504	Motor	1/2 HP 2 SPD. 115V					X
3	12104	Wheel	10x4	X	X	AHBW		
3	12106	Wheel	10x6			X	X	
3	12115	Wheel	11x6					X
4	13005	Capacitor	370 X 5 MFD 1/4 HP	X	X	X		
4	13005	Capacitor	370 X 5 MFD 1/2 HP				X	
4	13075	Capacitor	370V X 7.5 MFD 1/3 HP					X
Cabinet and Drain Pan Group								
5	33001	Cabinet	AHBW, AHFW 47"					
5	33016	Cabinet	AHKW 51"					
5	33021	Cabinet	AHLW 47"					
5	33022	Cabinet	AHLW 51"					
6	15005	Drain Pan	AHFW Metal (End Drain)					
6	15016	Drain Pan	AHKW Metal					
6	15021	Drain Pan	AHFW - Plastic (Side Drain)					
6	15022	Drain Pan	AHKW Plastic					
7	21017	Grille	FA AHB / F / K / L					
7	21018	Grille	FB AHB / F / K / L					
7	21007	Grille	CPG-C (AHB Only)					
7	21008	Grille	CPG-D (AHB Only)					
7	21009	Grille	FA-2 (3-TON) AHK / AHL					
7	21010	Grille	FB-2 (3-TON) AHK / AHL					
7	21038	Grille	ACP-51S-INS Solid*					
7	21039	Grille	ACP-51L Louvered*					
7	21040	Grille	ACP-55S Solid*					
7	21041	Grille	ACP-55L Louvered*					
8	18006	Filter	22 x 22					
	21011	Grille	Grille Screw Kit					
Electrical Group								
9	22002	Fan Relay	230 V Replaced Part #17001					
9	17002	Fan Relay	230V Used as of SN 3F19316N					
10	22003	Time Delay Relay	TDR-1					
13	29001	Terminal Block	ERB-30G					
14	30002	Transformers	4000-09E7BB757 115V					
Coil Parts and Accessories								
17	19002	Flowrator Assembly	2 FEED					
17	19003	Flowrator Assembly	3 FEED					
17	19004	Flowrator Assembly	4 FEED					
17	19005	Flowrator Assembly	5 FEED					
17	19006	Flowrator Assembly	6 FEED					
17	19007	Flowrator Assembly	7 FEED					
17	19008	Flowrator Assembly	8 FEED					
18	26041	10 SEER Piston	041 - 1 TON	X				
18	26047	10 SEER Piston	047 - 1 1/2 TON		X			
18	26059	10 SEER Piston	059 - 2 TON			X		
18	26063	10 SEER Piston	063 - 2 1/2 TON				X	
18	26070	10 SEER Piston	070 - 3 TON					X
18	26053	11/12 SEER Piston	053 - 1 1/2 TON		X			
18	26063	11/12 SEER Piston	063 - 2 TON			X		
18	26067	11/12 SEER Piston	067 - 2 1/2 TON				X	
18	26074	11/12 SEER Piston	074 - 3 TON					X
19	31030	Expansion Valves	ASTX - V3 (A/C)					
19	31060	Expansion Valves	Check Expansion Valve					
20	32001	Tail Piece	Tail Piece Kit					
Hydronic Coil Parts								
21	27001	Pump	15-18-B7 115V					
22	22001	Pump Relay	11Q1757 SP 110V					
23	20001	Hydronic Accessories	Freeze Stat					
24	20002	Hydronic Accessories	Entering Water Thermostat					

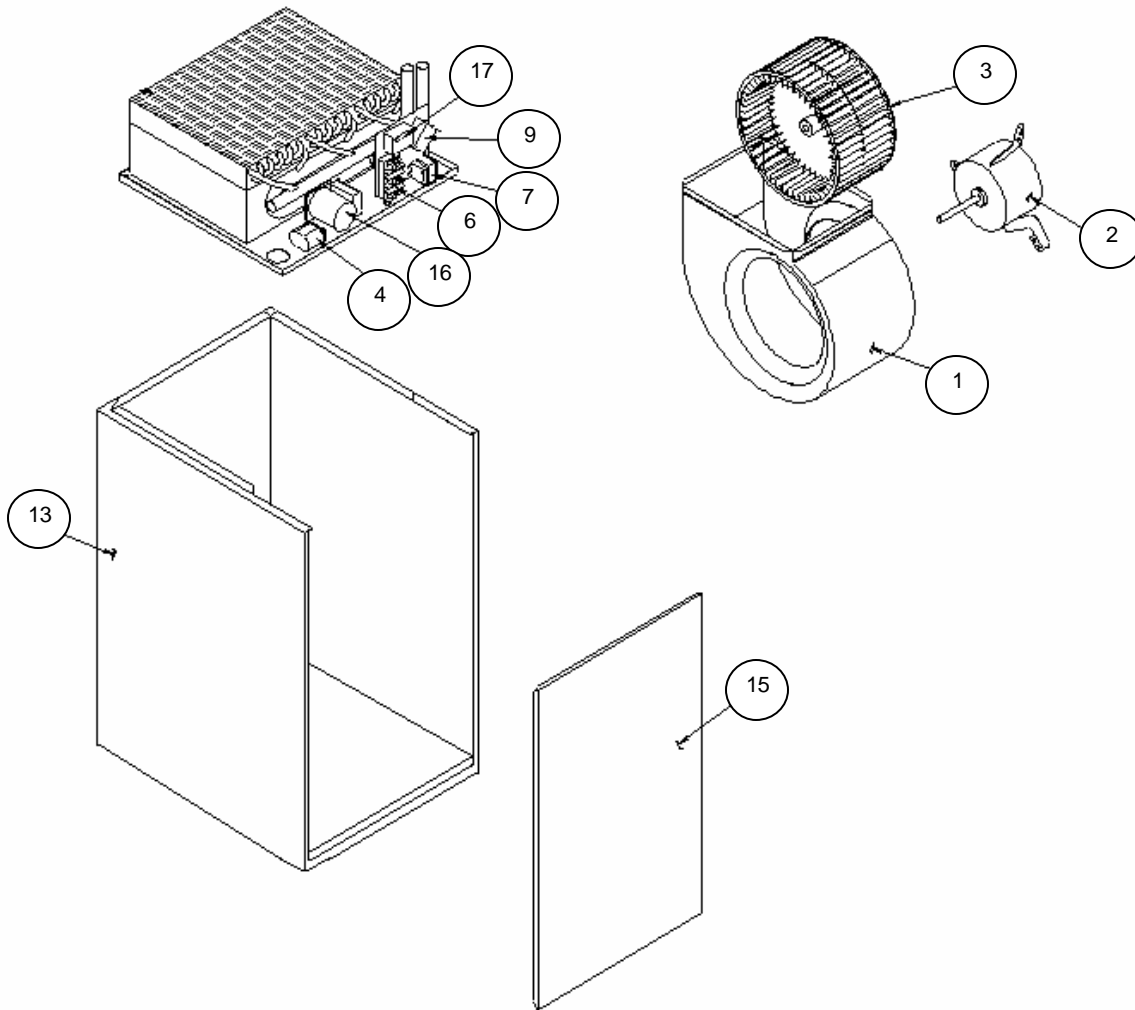
ACP Access Panels replace FA and FB Panels

EFM, ELB Exploded View



N/A denotes part not available as replacement part

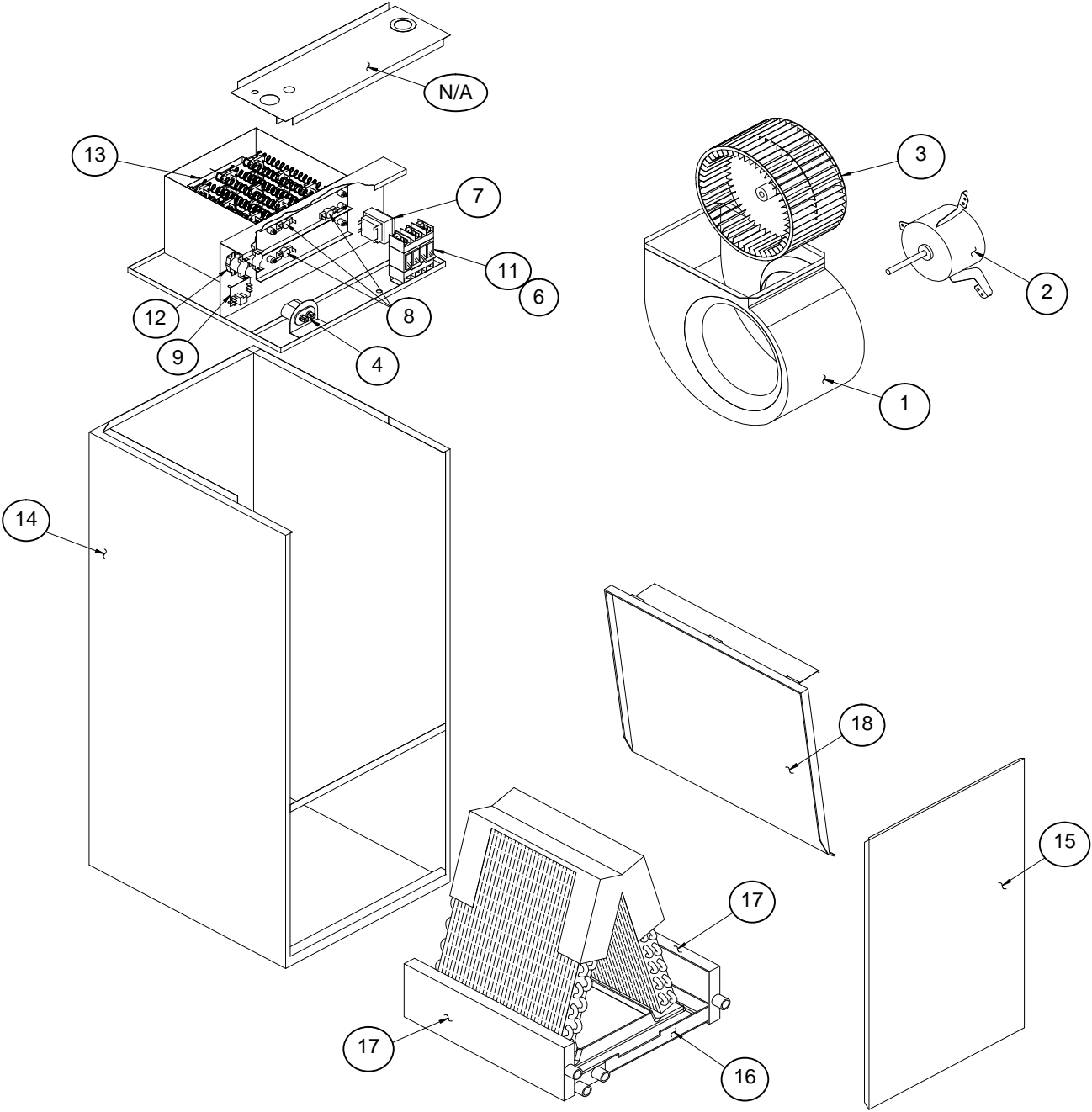
WFM, WLB Exploded View



Parts List for EFM / ELB / WLB / WFM

Part Number	Part	Description	2D 18	2D 24	3D 36	4D 48	5D 60
Blower Group							
1	11001	Housing	8.25" ELB / EFM / WLB / WFM	X	X		
1	11002	Housing	10.25" ELB / EFM / WLB / WFM			X	X
2	24252	Motor	1/5 HP 3 SPD 230V - 2D	X	X		
2	24253	Motor	1/4 HP 3 SPD 230V - 2D				
2	24332	Motor	1/3 HP 2 SPD 230V - 3D			X	
2	24503	Motor	1/2 HP 2 SPD 230V - 4D				X
2	24752	Motor	3/4 HP 2 SPD 230V - 5D				X
2	24254	Motor	1/4 HP 2 SPD 110V - 2D	X	X		
2	24334	Motor	1/3 HP 2 SPD 110V - 3D			X	
2	24504	Motor	1/2 HP 2 SPD 110V - 4D				X
2	24754	Motor	3/4 HP 2 SPD 110V - 4D				X
3	12106	Wheel	10 x 6	X	X		
3	12108	Wheel	10 x 8			X	X
3	12118	Wheel	11 x 8				X
4	13005	Capacitor	370V x 5 MFD 1/4 HP	X	X		
4	13075	Capacitor	270V x 7.5 MFD 1/3 HP			X	
4	13005	Capacitor	370V x 5 MFD 1/2 HP				X
4	13010	Capacitor	370V x 10 MFD 3/4 HP			X	
5	25001	Bracket	Motor Bracket TR4351B-BL 3/4 HP				X
Electrical Group							
6	29001	Terminal Block	ERB-30G				
7	30001	Transformer	BE312640-GBB 230V				
7	30002	Transformer	4000-01E7BB757 110v				
8	23001	Limits*	60TX01/313803 150F	*8 and 10KW req. 2 Limits / 15 KW req. 3 Limits / 20KW req 4 Limits			
9	17002	Fan Relay	230V Board				
9	17006	Fan Relay	230V Assy. Repl 17001				
9	22002	Fan Relay	13Q1757 DP 110V				
10	10030	Breaker	30 AMP 3, 5, 15, 25 KW**	*15KW model requires (1)-30 AMP Breaker and (1)-60 AMP Breaker,			
10	10040	Breaker	40 AMP 6KW	20KW Model requires (2) 60 AMP Breakers, 25KW Model requires (1)-30 AMP			
10	10060	Breaker	60 AMP 8, 10, 15, 20, 25 KW**	Breaker and (2)-60AMP Breakers, 30KW requires (3)-60AMP Breakers			
11	28001	Sequencer	15SH1 3,5,6, 25KW***	***25KW Model requires (1)-15SH1 Sequencer and (1)-15SH2 Sequencer			
11	28002	Sequencer	15SH2 8, 10, 30KW***	30KW Model requires (1)-15SH2 Sequencer and (1)-15SH2 Sequencer			
11	28003	Sequencer	15SH21 15KW				
11	28004	Sequencer	15SH22 20, 25, 30KW***				
12	16003	Heating Element	3 KW	****15KW Model requires (1)-9.6KW Heat Strip and (1)-4.8KW Heat Strip			
12	16048	Heating Element	4.8 KW****	20KW Model requires (2)-9.6KW Heat Strips, 25KW Model requires (1)-4.8KW			
12	16006	Heating Element	6 KW	heat strip and (2)-9.6KW Heat Strip, 30KW Model requires (3)-9.6 KW heat			
12	16008	Heating Element	8 KW	strips			
12	16096	Heating Element	9.6 KW****				
Cabinet, Filters, and Accessories Group							
13	33009	Cabinet	ELB / EFM Cabinet				
13	33010	Cabinet	WLB / WFM Cabinet				
14	18002	Filter	20 x 20 EFM / WFM				
14	18005	Filter	16 x 20 ELB / WLB				
15	14007	Door	WLB / ELB Door				
15	14008	Door	WFM / EFM Door				
Hydronic Parts							
16	27001	Pump	15-18-B7 115V				
17	22001	Relay	Pump Relay 110V				
18	20001	Thermostat	Freeze - Stat 110V				
19	20002	Thermostat	Entering Water Thermostat				

SL / BL / SLD / BLD Exploded View



*N/A denotes not available as replacement part

Parts List for SL / BL / SLD / BLD

Part Number	Part	Description	18	24	30	36	42	48	60	
Blower Group										
1	11001	Housing	8.25" SL	X	X	X				
1	11003	Housing	10.25" SL BL				X	X	X	
2	24253	Motor	1/4 HP 3 SPD 230V	X	X	X				
2	24332	Motor	1/3 HP 230V				X			
2	24503	Motor	1/2 HP 2 SPD 230V					X	X	
2	24752	Motor	3/4 HP 2 SPD 230V						X	
3	12106	Wheel	10 x 6	X	X	X				
3	12108	Wheel	10 x 8				X	X	X	
3	12118	Wheel	11 x 8						X	
4	13005	Capacitor	370V X 5 MFD 1/4 HP	X	X	X				
4	13075	Capacitor	370V X 7.5 MFD 1/3 HP*				X			
4	13005	Capacitor	370V X 5 MFD 1/2 HP					X	X	
4	13010	Capacitor	370V X 10 MFD 3/4 HP						X	
5	25001	Motor Bracket	TR4351B - BL						X	
Electrical Group										
6	29001	Terminal Block	ERB-30G							
7	30001	Transformer	400-09E7BB757							
8	23001	Limit	0TX01/313803*	*8 and 10KW req. 2 Limits / 15 KW req. 3 Limits / 20KW req 4 Limits						
9	17006	Fan Relay	Fan Relay Kit Repl 17001							
9	17002	Fan Relay	230V New Models							
10	22003	Time Delay Relay	TDR - 1							
11	10030	Breaker	30 AMP 3, 5, 15 KW**	*15KW model requires 1-30 AMP Breaker and 1-60 AMP Breaker, 20KW Model requires 2 60 AMP Breakers						
11	10040	Breaker	40 AMP 6KW							
11	10060	Breaker	60 AMP 8, 10, 15, 20 KW**							
12	28001	Sequencer	15SH1 / 3,5,6, KW							
12	28002	Sequencer	15SH2 / 8, 10KW							
12	28003	Sequencer	15SH21 / 15KW							
12	28004	Sequencer	15SH22 / 20KW							
13	16003	Heating Element	3 KW	***15KW Model requires 1-9.6KW Heat Strip and 1-4.8KW Heat Strip 20KW Model requires 2-9.6KW Heat Strips						
13	16048	Heating Element	4.8 KW***							
13	16006	Heating Element	6 KW							
13	16008	Heating Element	8 KW							
13	16096	Heating Element	9.6 KW***							
Cabinet, Drain Pan, and Filter Group										
14	33004	Cabinet	SL / SLD Cabinet							
14	33005	Cabinet	BL / BLD Cabinet							
15	14005	Door	SL Door							
15	14006	Door	BL Door							
16	15006	Drain Pan	SL A-D (Upflow)							
16	15007	Drain Pan	BL A-D (Upflow)							
17	15008	Drain Pan	SL H-DP (Horizontal) 2 req.							
17	15009	Drain Pan	BL H-DP (Horizontal) 2 req.							
18	15010	Drain Pan	SL Shield (Horizontal)							
18	15011	Drain Pan	BL Shield (Horizontal)							
19	15001	Drain Pan	SL DP (Up/Horz.) Old							
19	15002	Drain Pan	BL DP (Up/Horz.) Old							
20	15012	Drain Pan	BL Horizontal Pan LH*							
20	15013	Drain Pan	BL Horizontal Pan RH*							
21	18004	Filter	18 x 20 SL							
21	18006	Filter	22 x 22 BL							

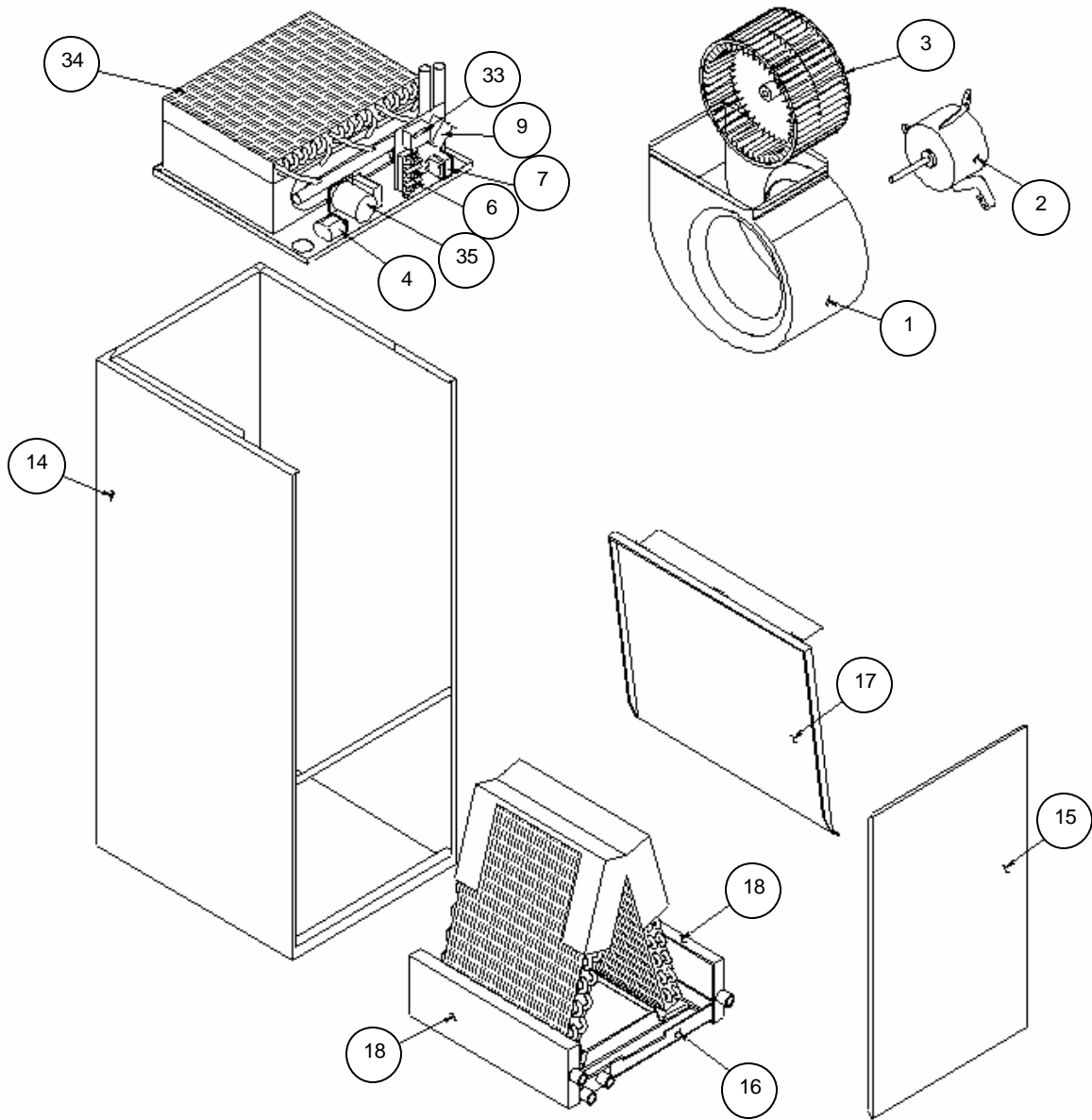
*Note new drain pan as of Apr 98 only for BL

Parts List for SL / BL / SLD / BLD

Part Number	Part	Description	18	24	30	36	42	48	60
Coil Parts and Accessories									
25	19002	Flowrator Assembly	2 FEED						
25	19003	Flowrator Assembly	3 FEED						
25	19004	Flowrator Assembly	4 FEED						
25	19005	Flowrator Assembly	5 FEED						
25	19006	Flowrator Assembly	6 FEED						
25	19007	Flowrator Assembly	7 FEED						
25	19008	Flowrator Assembly	8 FEED						
26	26041	10 SEER Piston	041 - 1 TON						
26	26047	10 SEER Piston	047 - 1 1/2 TON	X					
26	26059	10 SEER Piston	059 - 2 TON		X				
26	26063	10 SEER Piston	063 - 2 1/2 TON			X			
26	26070	10 SEER Piston	070 - 3 TON				X		
26	26074	10 SEER Piston	074 - 3 1/2 TON					X	
26	26082	10 SEER Piston	082 - 4 TON						X
26	26090	10 SEER Piston	090 - 5 TON						X
27	26053	11/12 SEER Piston	053 - 1 1/2 TON	X					
27	26063	11/12 SEER Piston	063 - 2 TON		X				
27	26067	11/12 SEER Piston	067 - 2 1/2 TON			X			
27	26074	11/12 SEER Piston	074 - 3 TON				X		
27	26078	11/12 SEER Piston	078 - 3 1/2 TON					X	
27	26084	11/12 SEER Piston	084 - 4 TON						X
27	26094	11/12 SEER Piston	094 - 5 TON						X
28	32001	Tail Piece Kit	Tail Piece Kit						
29	31030	Expansion Valves	ASTX - V3 (A/C)						
29	31050	Expansion Valves	ASTX - V5 (A/C)						
29	31031	Expansion Valves	ASTXP - V3 (Heat Pump)						
29	31051	Expansion Valves	ASTXP - V5 (Heat Pump)						

No longer available, see expansion valve parts list

SLW, BLW, SLDW, BLDW Exploded View



Parts List for SLW / BLW / SLDW / BLDW

Part Number	Part	Description	18	24	30	36	42	48	60
Blower Group									
1	11001	Housing	8.25" SLW	X	X	X			
1	11002	Housing	10.25" SLW 3 ton				X		
1	11004	Housing	10.25" BLW				X	X	X
2	24253	Motor	1/4 HP 3 SPD 230V	X	X				
2	24503	Motor	1/2 HP 2 SPD 230V			X	X		
2	24752	Motor	3/4 HP 2 SPD 230V				X	X	X
2	24254	Motor	1/4 HP 2 SPD 110V	X	X				
2	24504	Motor	1/2 HP 2 SPD 110V			X	X		
2	24754	Motor	3/4 HP 2 SPD 110V				X	X	X
3	12106	Wheel	10 x 6 SLW	X	X				
3	12108	Wheel	10 x 8 SLW			X	X		
3	12118	Wheel	11 x 8 BLW				X	X	X
4	13005	Capacitor	370V x 5 MFD 1/4 HP 110V	X	X				
4	13075	Capacitor	370V x 7.5 MFD 1/3 HP 110V			X	X		
4	13010	Capacitor	370V x 10 MFD 3/4 HP 110V				X	X	X
4	13005	Capacitor	370V x 5 MFD 1/4 HP 230V	X	X				
4	13005	Capacitor	370V x 5 MFD 1/2 HP 230V			X	X		
4	13010	Capacitor	370V x 10 MFD 3/4 HP 230V				X	X	X
5	25001	Bracket	3/4 HP TR4351B-BL						X
Electrical Group									
6	29001	Terminal Block	ERB-30G						
7	30002	Transformer	110V						
7	30001	Transformer	230V						
9	22002	Fan Relay	110V						
9	17002	Fan Relay	220V New Models						
9	17001	Fan Relay	220V						No Longer Available
Cabinet and Drain Pan Group									
14	33006	Cabinet	SLW						
14	33007	Cabinet	BLW						
15	14005	Door	SLW Door						
15	14006	Door	BLW Door						
16	15006	Drain Pan	SLW A DP (Upflow)						
16	15010	Drain Pan	SLW Shield (Horizontal)						
17	15008	Drain Pan	SLW H DP(Horizontal)*						
17	15009	Drain Pan	BLW H DP (Horizontal)*						
18	15007	Drain Pan	BLW A DP (Upflow)						
18	15011	Drain Pan	BLW Shield (Horizontal)						
19	15001	Drain Pan	SLW DP Old (Up/Horz.)						
19	15002	Drain Pan	BLW DP Old (Up/Horz.)						
20	15012	Drain Pan	BLW Horiz. Pan LH						
20	15013	Drain Pan	BLW Horiz. Pan RH						
22	14020	Panel	SLDW Top Panel						
23	14021	Panel	SLDW Center Panel						
24	14022	Panel	SLDW Bottom Panel						
22	14023	Panel	BLDW Top Panel						
23	14024	Panel	BLDW Center Panel						
24	14025	Panel	BLDW Bottom Panel						

*Note, SLW and BLW req. 2 drain pans

Parts List for SLW / BLW / SLDW / BLDW

Part Number	Part	Description	18	24	30	36	42	48	60	
DX Coil Group										
25	19002	Flowrator Assembly	2 FEED							
25	19003	Flowrator Assembly	3 FEED							
25	19004	Flowrator Assembly	4 FEED							
25	19005	Flowrator Assembly	5 FEED							
25	19006	Flowrator Assembly	6 FEED							
25	19007	Flowrator Assembly	7 FEED							
25	19008	Flowrator Assembly	8 FEED							
26	26041	10 SEER Piston	041 - 1 TON							
26	26047	10 SEER Piston	047 - 1 1/2 TON	X						
26	26059	10 SEER Piston	059 - 2 TON		X					
26	26063	10 SEER Piston	063 - 2 1/2 TON			X				
26	26070	10 SEER Piston	070 - 3 TON				X			
26	26074	10 SEER Piston	074 - 3 1/2 TON					X		
26	26082	10 SEER Piston	082 - 4 TON						X	
26	26090	10 SEER Piston	090 - 5 TON						X	
27	26053	11/12 SEER Piston	053 - 1 1/2 TON	X						
27	26063	11/12 SEER Piston	063 - 2 TON		X					
27	26067	11/12 SEER Piston	067 - 2 1/2 TON			X				
27	26074	11/12 SEER Piston	074 - 3 TON				X			
27	26078	11/12 SEER Piston	078 - 3 1/2 TON					X		
27	26084	11/12 SEER Piston	084 - 4 TON						X	
27	26094	11/12 SEER Piston	094 - 5 TON						X	
28	32001	Tail Piece Kit	Tail Piece Kit							
29	31030	Expansion Valves	ASTX - V3 (A/C)	No longer available, see expansion valve parts list						
29	31050	Expansion Valves	ASTX - V5 (A/C)	No longer available, see expansion valve parts list						
Hydronic Coil Group										
30	31060	Valve	Water Check Valve							
31	20001	Freezestat	X-1665H/37TV31							
32	20002	Thermostat	Entering water thermostat							
33	22001	Pump Relay	110V							
34	35001	Hydronic Coils	B2 With Pump							
34	35002	Hydronic Coils	B3 With Pump							
34	35003	Hydronic Coils	B4 With Pump							
34	35004	Hydronic Coils	B2 Without Pump							
34	35005	Hydronic Coils	B3 Without Pump							
34	35006	Hydronic Coils	B4 Without Pump							
34	35007	Hydronic Coils	S2 With Pump							
34	35008	Hydronic Coils	S3 With Pump							
34	35009	Hydronic Coils	S2 Without Pump							
34	35010	Hydronic Coils	S3 Without Pump							
35	27001	Pump	15-18-B7 110V							

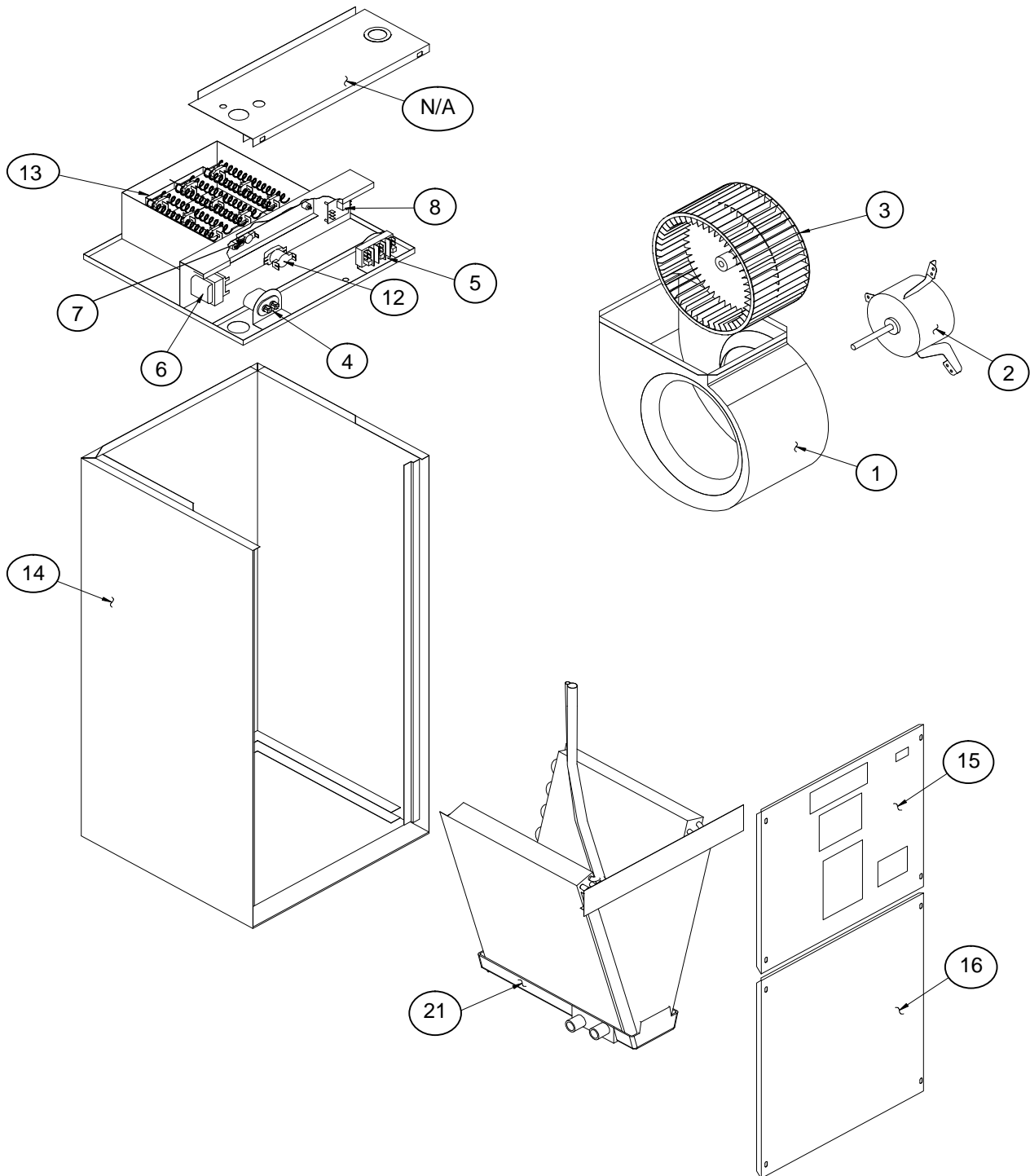
Parts List for SLH / BLH

Part Number	Part	Description	18	24	30	36
Blower Group						
1	11001	Housing	8.25" SLH / BLH	X	X	X
1	11002	Housing	10.25" BLH			X
2	24253	Motor	1/4 HO 3 SPD 230V	X	X	X
2	24332	Motor	1/3 HP 230V			X
2	24503	Motor	1/2 HP 2 SPD 230V			
3	12106	Blower Wheel	10 x 6	X	X	X
3	12108	Blower Wheel	10 x 8			X
4	13005	Capacitor	370V X 5MFD 1/4 HP	X	X	X
4	13075	Capacitor	370V X 7.5MFD 1/3 HP			X
4	13005	Capacitor	370V X 5MFD 1/2 HP			
Electrical Group						
6	29001	Terminal Block	ERB-30G			
7	30001	Transformer	400-09E7BB757			
8	23001	Limit	0TX01/313803*	*8 and 10KW req. 2 Limits / 15 KW req. 3		
9	17001	Fan Relay	Fan Relay Kit No longer available	Limits / 20KW req 4 Limits		
9	17002	Fan Relay	Fan Relay New Models			
9	17006	Fan Relay	Fan Relay Kit Replaces 17001			
10	22003	Time Delay Relay	TDR - 1			
11	10030	Breaker	30 AMP 3, 5, 15 KW**	**15KW model requires 1-30 AMP Breaker		
11	10040	Breaker	40 AMP 6KW	and 1-60 AMP Breaker, 20KW		
11	10060	Breaker	60 AMP 8, 10, 15, 20 KW**	Model requires 2 60 AMP Breakers		
12	28001	Sequencer	15SH1 / 3,5,6, KW			
12	28002	Sequencer	15SH2 / 8, 10KW			
12	28003	Sequencer	15SH21 / 15KW			
12	28004	Sequencer	15SH22 / 20KW			
13	16003	Heating Element	3 KW			
13	16048	Heating Element	4.8 KW***	***15KW Model requires 1-9.6KW Heat Strip		
13	16006	Heating Element	6 KW	and 1-4.8KW Heat Strip		
13	16008	Heating Element	8 KW	20KW Model requires 2-9.6KW Heat Strips		
13	16096	Heating Element	9.6 KW***			
Cabinet and Drain Pan Group						
14	33015	Cabinet	SLH Cabinet			
14	33014	Cabinet	BLH Cabinet			
15	14011	Door	SLH Door			
15	14010	Door	BLH Door			
16	15008	Drain Pan	SLH Drain Pan Poly			
16	15009	Drain Pan	BLH Drain Pan Poly			

Parts List for SLH / BLH

Part Number	Part	Description	18	24	30	36
Coil Parts and Accessories						
25	19002	Flowrator Assembly	2 FEED			
25	19003	Flowrator Assembly	3 FEED			
25	19004	Flowrator Assembly	4 FEED			
25	19005	Flowrator Assembly	5 FEED			
25	19006	Flowrator Assembly	6 FEED			
25	19007	Flowrator Assembly	7 FEED			
25	19008	Flowrator Assembly	8 FEED			
26	26041	10 SEER Piston	041 - 1 TON			
26	26047	10 SEER Piston	047 - 1 1/2 TON	X		
26	26059	10 SEER Piston	059 - 2 TON		X	
26	26063	10 SEER Piston	063 - 2 1/2 TON			X
26	26070	10 SEER Piston	070 - 3 TON			X
27	26053	11/12 SEER Piston	053 - 1 1/2 TON	X		
27	26063	11/12 SEER Piston	063 - 2 TON		X	
27	26067	11/12 SEER Piston	067 - 2 1/2 TON			X
27	26074	11/12 SEER Piston	074 - 3 TON			X
28	32001	Tail Piece Kit	Tail Piece Kit			
29	31030	Expansion Valves	ASTX - V3 (A/C)	No Longer Available, See expansion valve		
29	31031	Expansion Valves	ASTXP - V3 (Heat Pump)	Parts List		

VL/VLX Exploded View



*N/A denotes not available as replacement part

Parts List for VL / VLX

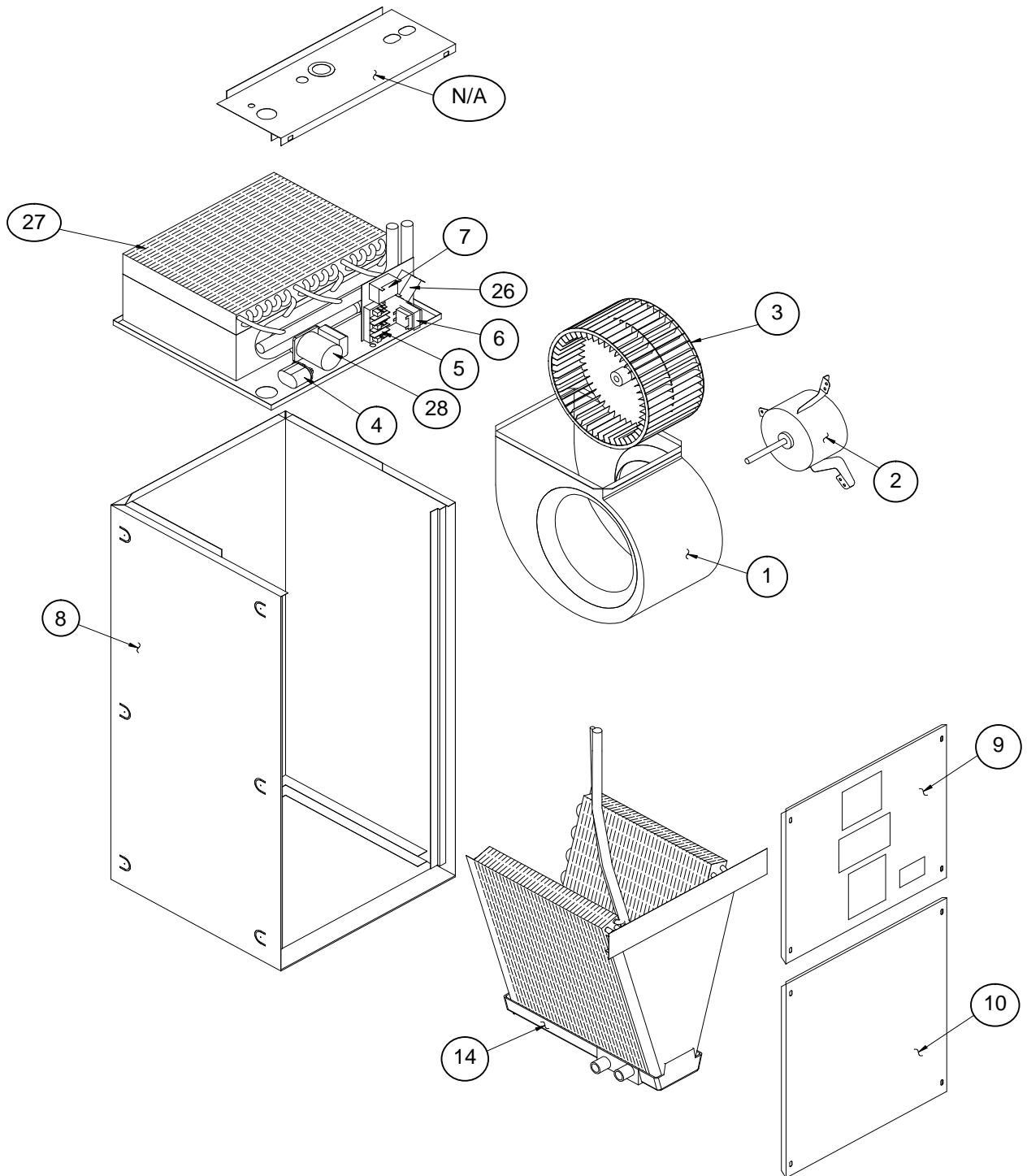
Part Number	Part	Description	12	18	24	30	36	42	48
Blower Group									
1	11007	Housing	8.25" VL	X	X	X	X		
1	11008	Housing	10.25" VLX					X	X
2	24252	Motor	1/5 HP 3SPD 230V	X	X	X			
2	24253	Motor	1/4 HP 3SPD 230V				X		
2	24332	Motor	1/3 HP 230V					X	
2	24503	Motor	1/2 HP 2SPD 230V						X
3	12104	Wheel	10 x 4	X	X	X			
3	12114	Wheel	11 x 4				X		
3	12108	Wheel	10 x 8 VLX					X	X
4	13005	Capacitor	370V x 5MFD 1/4 HP	X	X	X	X		
4	13075	Capacitor	370V x 7.5MFD 1/3 HP					X	
4	13005	Capacitor	370V x 5MFD 1/2 HP						X
4	13010	Capacitor	370V x 10MFD 3/4 HP						X
Electrical Group									
5	29001	Terminal Block	ERB-30G						
6	30001	Transformer	400-09E7BB757						
7	23001	Limit	0TX01/313803*	*8 and 10KW req. 2 Limits / 15 KW req. 3 Limits / 20KW req 4 Limits					
8	17002	Fan Relay	Fan Relay Board						
8	17004	Fan Relay	Fan Assy. Repl 17001						
9	22003	Time Delay Relay	TDR - 1						
10	10030	Breaker	30 AMP 3, 5, 15 KW**	**15KW models require. 1-30 AMP Breaker and 1-60 AMP Breaker/ 20KW					
10	10040	Breaker	40 AMP 6KW	Models Require 2-60 AMP Breakers					
10	10060	Breaker	60 AMP 8, 10, 15, 20 KW**						
11	25002	Breaker Bracket	VL						
12	28001	Sequencer	15SH1 / 3,5,6, KW						
12	28002	Sequencer	15SH2 / 8, 10KW						
12	28003	Sequencer	15SH21 / 15KW						
12	28004	Sequencer	15SH22 / 20KW						
13	16003	Heating Element	3 KW						
13	16048	Heating Element	4.8 KW***						
13	16006	Heating Element	6 KW	***15KW model requires 1-9.6KW Heat Strip and 1-4.8KW Heat Strip/ 20KW					
13	16008	Heating Element	8 KW	model requires. 2-9.6KW Heat Strips					
13	16096	Heating Element	9.6 KW***						
Cabinet, Drain Pan, and Filters Group									
14	33002	Cabinet	VL						
14	33008	Cabinet	VLX						
15	14003	Door	Top VL						
15	14004	Door	Top VLX						
16	14001	Panel	Bottom Panel LCP-1AS VL						
16	14002	Panel	Bottom Panel LCP-2AS VLX						
17	21001	Grille	Louvered Bottom RFG-1AS VL						
17	21002	Grille	Louvered Bottom RFG-2AS VLX						
18	21003	Hardware	Grille-Mount Flange						
19	21004	Hardware	VL/VLX Screw Kit						
20	21012	Hardware	Wall Hang Kit						
21	15003	Drain Pan	VL Drain Pan*	*Note Metal Drain Pans for VL/VLX No longer available					
21	15004	Drain Pan	VLX Drain Pan*						
22	18001	Filter	18 x 18 VL						
22	18002	Filter	20 x 20 VLX						
23	21013	Hardware	Filter Door Clip						

Parts List for VL / VLX

Part Number	Part	Description	12	18	24	30	36	42	48
Accessories and Coil Parts									
24	19002	Flowrator Assembly	2 FEED						
24	19003	Flowrator Assembly	3 FEED						
24	19004	Flowrator Assembly	4 FEED						
24	19005	Flowrator Assembly	5 FEED						
24	19006	Flowrator Assembly	6 FEED						
24	19007	Flowrator Assembly	7 FEED						
24	19008	Flowrator Assembly	8 FEED						
25	26041	10 SEER Piston	041 - 1 TON	X					
25	26047	10 SEER Piston	047 - 1 1/2 TON		X				
25	26059	10 SEER Piston	059 - 2 TON			X			
25	26063	10 SEER Piston	063 - 2 1/2 TON				X		
25	26070	10 SEER Piston	070 - 3 TON					X	
25	26074	10 SEER Piston	074 - 3 1/2 TON						X
25	26082	10 SEER Piston	082 - 4 TON						X
26	26053	11/12 SEER Piston	053 - 1 1/2 TON		X				
26	26063	11/12 SEER Piston	063 - 2 TON			X			
26	26067	11/12 SEER Piston	067 - 2 1/2 TON				X		
26	26074	11/12 SEER Piston	074 - 3 TON					X	
26	26078	11/12 SEER Piston	078 - 3 1/2 TON						X
26	26084	11/12 SEER Piston	084 - 4 TON						X
27	32001	Tail Piece	Tail Piece Kit						
28	31030	Expansion Valves	ASTX - V3 (A/C)						
28	31050	Expansion Valves	ASTX - V5 (A/C)						
28	31031	Expansion Valves	ASTXP - V3 (Heat Pump)						
28	31051	Expansion Valves	ASTXP - V5 (Heat Pump)						

No longer available, see expansion valve parts list

VLW / SLHW / BLHW Exploded View



*N/A denotes not available as replacement part

Parts List for VLW / SLHW / BLHW

Part Number	Part	Description	18	24	30	36
Blower Group						
1	11001	Housing	8.25" VLW / SLHW			
1	11002	Housing	10.25" VLW / BLHW			
2	24254	Motor	X	X		
2	24504	Motor			X	X
2	24253	Motor	X	X		
2	24503	Motor			X	X
3	12106	Wheel	X	X		
3	12108	Wheel			X	X
4	13005	Capacitor	X	X		
4	13075	Capacitor			X	X
4	13005	Capacitor	X	X		
4	13005	Capacitor			X	X
Electrical Group						
5	29001	Terminal Block	ERB-30G			
6	30002	Transformer	110V			
6	30001	Transformer	230V			
7	22002	Fan Relay	110V			
7	17001	Fan Relay	220V			
7	17002	Fan Relay	220V Board, New Models			
Cabinets, Drain Pans and Filters						
8	33008	Cabinet	VLW			
8	33014	Cabinet	BLHW			
8	33015	Cabinet	SLHW			
9	14004	Panel	VLW- Top Door			
10	14002	Panel	VLW- LCP-2AS Lower Panel			
9	14015	Panel	SLHW Top Panel			
10	14016	Panel	SLHW Bottom Panel			
9	14017	Panel	BLHW Top Panel			
10	14018	Panel	BLHW Bottom Panel			
11	21002	Grille	RFG-2AS VLW			
12	21003	Hardware	Grille-Mount Flange			
13	21004	Hardware	Thumb Screw Kit			
14	15004	Drain Pan	VLW Drain Pan			
15	15008	Drain Pan	SLHW Drain Pan			
16	15009	Drain Pan	BLHW Drain Pan			
17	18002	Filter	20 x 20 VLW			

Parts List for VLW / SLHW / BLHW

Part Number	Part	Description	18	24	30	36
Coil Parts and Accessories						
18	19002	Flowrator Assembly	2 FEED			
18	19003	Flowrator Assembly	3 FEED			
18	19004	Flowrator Assembly	4 FEED			
18	19005	Flowrator Assembly	5 FEED			
18	19006	Flowrator Assembly	6 FEED			
18	19007	Flowrator Assembly	7 FEED			
18	19008	Flowrator Assembly	8 FEED			
19	26041	10 SEER Piston	041 - 1 TON			
19	26047	10 SEER Piston	047 - 1 1/2 TON	X		
19	26059	10 SEER Piston	059 - 2 TON		X	
19	26063	10 SEER Piston	063 - 2 1/2 TON			X
19	26070	10 SEER Piston	070 - 3 TON			X
20	26053	11/12 SEER Piston	053 - 1 1/2 TON	X		
20	26063	11/12 SEER Piston	063 - 2 TON		X	
20	26067	11/12 SEER Piston	067 - 2 1/2 TON			X
20	26074	11/12 SEER Piston	074 - 3 TON			X
21	32001	Tail Piece	Tail Piece Kit			
22	31030	Expansion Valves	ASTX - V3 (A/C)	NLA See Expansion Valve List		
Hydronic Coil Group						
23	31060	Valve	Water Check Valve			
24	20001	Freezestat	X-1665H/37TV31			
25	20002	Thermostat	Entering water thermostat			
26	22001	Pump Relay	110V			
27	35011	Hydronic Coil	V2 With Pump			
27	35012	Hydronic Coil	V3 With Pump			
27	35013	Hydronic Coil	V2 Without Pump			
27	35014	Hydronic Coil	V2 Without Pump			
28	27001	Pump	15-18-B7 110V			

Parts List for HFD / HFP

Part Number	Part	Description	Model					
			12	18	24	30/36	37	
Blower Group								
1	11012	Housing	8" TOP ASSY.	X	X	X		
2	11013	Housing	8" BOTTOM ASSY.	X	X	X		
1	11014	Housing	11" TOP ASSY.				X	X
2	11015	Housing	11" BOTTOM ASSY.				X	X
3	11016	Housing	8" COMPLETE ASSY	X	X	X		
3	11017	Housing	11" COMPLETE ASSY.				X	X
4	24260	Motor	1/8 HP 230V 2 SPD DBL SHF	X	X			
4	24255	Motor	1/4 HP 230V 2 SPD DBL SHF			X		
4	24335	Motor	1/3 HP 230V 2 SPD DBL SHF				X	
4	24505	Motor	1/2 HP 230V 2 SPD DBL SHF					X
5	12130	Wheel	6.75 x 6.25 Req. 2	X	X	X		
5	12131	Wheel	6.75 X 9 Req. 2				X	X
6	13005	Capacitor	370 x 5 MFD	X	X	X	X	X
Electrical Group								
7	29001	Terminal Block	ERB-30G					
8	30001	Transformer	230V					
9	17001	Fan Relay	230V					
9	17002	Fan Relay	230V Board, New Models					
9	22002	Fan Relay	230V Repl. 17001					
9	22003	Fan Relay	Time Delay Relay TDR-1					
10	23001	Limit	60TX01/313803 150F					Each Model Requires (2) Limits
11	28001	Sequencer	15SH1 (3 - 5KW)					
11	28002	Sequencer	15SH2 (6 - 10KW)					
12	10030	Breaker	30AMP (3 - 5KW)					
12	10040	Breaker	40 AMP (6KW)					
12	10060	Breaker	60 AMP (8-10KW)					
13	16215	Electric Elements	1.5 KW					3 KW Model Requires (2) 1.5KW Elements
13	16220	Electric Elements	2.0 KW					4 KW Model Requires (2) 2.0KW Elements
13	16224	Electric Elements	2.4 KW					5 KW Model Requires (2) 2.4KW Elements
13	16230	Electric Elements	3.0 KW					6 KW Model Requires (2) 3.0KW Elements
13	16240	Electric Elements	4.0 KW					8 KW Model Requires (2) 4.0KW Elements
13	16248	Electric Elements	4.8 KW					10 KW Model Requires (2) 4.8KW Elements
Cabinet and Drain Pan Group								
14	21030	Panel	ACP-44S SOLID	Dimensions				27.25 x 44.25
15	21031	Panel	ACP-44L LOUVERED					27.25 x 44.25
14	21032	Panel	ACP-51S SOLID					27.25 x 51.25
15	21033	Panel	ACP-51L LOUVERED					27.25 x 51.25
14	21034	Panel	ACP-55S SOLID					27.25 x 55.25
15	21035	Panel	ACP-55L LOUVERED					27.25 x 55.25
14	21036	Panel	ACP-61S SOLID					27.25 x 61.25
15	21037	Panel	ACP-61L LOUVERED					27.25 x 61.25
16	15017	Drain Pan	HF - 30					33-3/4 x 6
16	15018	Drain Pan	HF - 36					39 - 3/4 x 6
16	15019	Drain Pan	HF - 42				45 - 3/4 x 6	

Parts List for HFD / HFP

Part Number	Part	Description	Model					
			12	18	24	30/36	37	
Coil Parts and Accessories								
17	19002	Flowrator Assembly	2 FEED					
17	19003	Flowrator Assembly	3 FEED					
17	19004	Flowrator Assembly	4 FEED					
17	19005	Flowrator Assembly	5 FEED					
17	19006	Flowrator Assembly	6 FEED					
17	19007	Flowrator Assembly	7 FEED					
17	19008	Flowrator Assembly	8 FEED					
18	26041	10 SEER Piston	041 - 1 TON	X				
18	26047	10 SEER Piston	047 - 1 1/2 TON		X			
18	26059	10 SEER Piston	059 - 2 TON			X		
18	26063	10 SEER Piston	063 - 2 1/2 TON				X	
18	26070	10 SEER Piston	070 - 3 TON					X
19	26053	11/12 SEER Piston	053 - 1 1/2 TON		X			
19	26063	11/12 SEER Piston	063 - 2 TON			X		
19	26067	11/12 SEER Piston	067 - 2 1/2 TON				X	
19	26074	11/12 SEER Piston	074 - 3 TON					X
20	32001	Tail Piece	Tail Piece Kit					
21	31030	Expansion Valves	ASTX - V3 (A/C)					
21	31031	Expansion Valves	ASTXP - V3 (H/P)					
				NLA See Expansion Valve List				

AllStyle Parts Index

Part Description	Part # Series	Page	Section
Air Handler Parts			
Circuit Breaker	10000	31	Circuit Breakers
Blower Housing	11000	31	Blower / Housing
Blower Wheel	12000	31	Blower Wheels
Capacitors	13000	31	Capacitors
Doors	14000	31	Doors
Air Handler Drain Pan	15000	32	Air Handler Drain Pans
Heat Elements	16000	32	Heating Elements
Fan Relays	17000	32	Relay / Limits / Electrical
Filters	18000	33	Filters
Flowrator Assembly	19000	7	AllStyle Piston Chart
Freeze Stat / Water Stat	20000	32	Relay / Limits / Electrical
Grilles	21000	33	Grilles
Hydronic Pump Relay	22000	32	Relay / Limits / Electrical
Limit Switches	23000	32	Relay / Limits / Electrical
Motors	24000	33	Fan Motors / Brackets
Motor Bracket	25000	33	Fan Motors / Brackets
Pistons (Orifices)	26000	6	AllStyle Piston Chart
Hydronic Pump	27000	32	Relay / Limits / Electrical
Sequencers	28000	32	Relay / Limits / Electrical
Terminal Blocks	29000	32	Relay / Limits / Electrical
Transformers	30000	32	Relay / Limits / Electrical
Expansion Valve / Hydronic Check	31000	8	Expansion Valve List
Tail Piece Kits	32000	8	Expansion Valve List
Cabinets	33000	34	Cabinets
Hydronic Heat Coils	35000	34	Hydronic Heat Coils
Drain Plug / Adaptor Kit	36000	3	Drain Pan List
*Parts also located on pages for individual air handler models			
AllStyle Coil Parts			
A - Drain Pans	41000	1	A Configuration Drain Pans
M - Drain Pans	42000	1	M Configuration Drain Pans
A - Uncased Drain Pans	43000	1	A Configuration Uncased Drain Pans
M - Uncased Drain Pans	44000	1	M Configuration Uncased Drain Pans
FM / LB / KM Drain Pans	45000	2	Plenum Coil and Dedicated Horizontal Drain Pans
FMDH / LBDH Drain Pans	46000	2	Plenum Coil and Dedicated Horizontal Drain Pans
Horizontal Drain Pans	47000	2	ASH Standard Horizontal Drain Pans
Old Metal Drain Pans	48000	2	All Sections
Stylequest / ASDH M-D-P	49000	2	Plenum Coil and Dedicated Horizontal Drain Pans
ASRSP Metal Drain Pans	51000	2	ASRSP Replacement Coil Drain Pans
3/4" Drain Plug	53000	3	Accessories and Drain Plug
ASUM "A" Plastic Pan	15006	2	ASUM Mobile Home Replacement Coil Drain Pans
ASUM "M" Drain Pan	54000	2	ASUM Mobile Home Replacement Coil Drain Pans
Commercial Drain Pan	55000	3	ASH, ASU, ASM Replacement Coil Drain Pans

AllStyle Parts By Component

Part Number	Description	Tonnage	Models
Circuit Breakers			
10030	30 AMP		
10040	40 AMP		
10050	50 AMP		
10060	60 AMP		
Blower / Housing			
11001	8.25"	1 - 2.5 Ton	BLH / ELB / EFM / SL / SLH
11002	10.25"	3 - 5 Ton	BLH / ELB / EFM / SLW
11003	10.25"	3 - 5 Ton	
11004	10.25"	3.5 - 5 Ton	
11007	8.25"	1 - 2.5 Ton	
11008	10.25"	3 - 4 Ton	
11009	8.25"	2.5 - 3 Ton	AHBE / AHFE / AHKE / AHFP
11010	6.5"	1 - 2 Ton	AHBE / AHFE / AHFP
11011	Belly Band Mount		
11012	8" Top Assy.		HFD / HFP / HFW / HFC
11013	8" Bottom Assy.		HFD / HFP / HFW / HFC
11014	11" Top Assy.		HFD / HFP / HFW / HFC
11015	11" Bottom Assy.		HFD / HFP / HFW / HFC
11016	8" Complete Assy.		HFD / HFP / HFW / HFC
11017	11" Complete Assy.		HFD / HFP / HFW / HFC
Blower Wheels			
12106	10 x 6		
12108	10 x 8		
12118	11 x 8		
12104	10 x 4		
12114	11 x 4		
12115	11 x 6		
12129	12 x 9		
12130	6.75 x 6.25	1 - 2 Ton	HF Series
12131	6.75 x 9	2.5 - 3 Ton	HF Series
Capacitors			
13005	370 VAC x 5 MFD		
13075	370 VAC x 7.5 MFD		
13010	370 VAC x 10 MFD		
13020	370 VAC x 20 MFD		
Doors			
14001	LCP-1AS		VL
14002	LCP-2AS		VLX / VLW
14009	LCP-3AS		
14003	VL- TOP PANEL		VL
14004	VLX - TOP PANEL		VLX / VLW
14005	SL - DOOR		SL
14006	BL - DOOR		BL
14007	ELB - DOOR		ELB / WLB
14008	EFM - DOOR		EFM / WFM
14010	BLHE / BLHP DOOR		BLH / BLHP
14011	SLHE / SLHP DOOR		BLH / BLHP
14012	HINGED A / H DOOR		
14013	FFP2 FULL FRONT PANEL		VLW
14015	SLHW TOP PANEL		SLHW
14016	SLHW LCP		SLHW
14017	BLHW TOP PANEL		BLHW
14018	BLHW LCP		BLHW
14020	SLD / SLDW TOP PANEL		SLD / SLDW
14021	SLD / SLDW CENTER PANEL		SLD / SLDW
14022	SLD / SLDW BOTTOM PANEL		SLD / SLDW
14023	BLD / BLDW BOTTOM PANEL		BLD / BLDW
14024	BLD / BLDW BOTTOM PANEL		BLD / BLDW
14025	BLD / BLDW BOTTOM PANEL		BLD / BLDW

AllStyle Parts By Component

Part Number	Description	Tonnage	Models
Air Handler Drain Pans			
15001	SL V STYLE		SL - Prior to 1996
15002	BL V STYLE		BL - Prior to 1996
15003	VL DRAIN PAN		VL
15004	VLX / VLW DRAIN PAN		VLX
15005	AHB / F DRAIN PAN	1 - 2.5 Ton	AHB F
15006	SL "A" DRAIN PAN		SL - Upflow
15007	BL "A" DRAIN PAN		BL - Upflow
15008	SL H DRAIN PAN		SLH / SLHW / SL
15009	BL H DRAIN PAN		BLH / BLHW / BL
15010	SL SHIELD PAN		SL
15011	BL SHIELD PAN		BL
15012	BL61 HORZ PAN LEFT		BL61
15013	BL61 HORZ PAN RIGHT		BL61
15014	VL METAL DRAIN PAN		VL Old Style
15015	VLX METAL DRAIN PAN		VLX Old Style
15016	AHKE DRAIN PAN	3 Ton	AHK
15017	HFD / W / P - 30 DRAIN PAN	1 - 2 Ton	HF Series
15018	HFD / W / P - 36 DRAIN PAN	2.5 Ton	HF Series
15019	HFD / W / P - 42 DRAIN PAN	3 Ton	HF Series
15020	RUBBER HOSE INSULATORS		AH Series
15021	AH SERIES D PAN	UP TO 2 1/2 TON	AH Series
15022	AH SERIES D PAN	3 TON ONLY	AH Series
15023	ASUC36D4C DRAIN PAN		
46004	AUXILARY DRAIN PAN		ASH / ASHL / ASLBH / ATCH
46005	AUXILARY DRAIN PAN		ASH*7 ASLBH60
Heating Elements			
16003	3 KW		
16048	4.8 KW		
16006	6 KW		EFM / ELB / SL-H / BL-H / VL / VLX
16075	7.5 KW		
16008	8 KW		
16096	9.6 KW		
16103	3 KW		
16148	4.8 KW		
16106	6 KW		
16175	7.5 KW		AHF / F / K Series
16108	8 KW		
16196	9.6 KW		
16198	15 KW		
16199	4 KW RESTRING KIT		
16215	1.5 KW		
16220	2.0 KW		
16224	2.4 KW	(2) Installed Per Unit	HF Series
16230	3.0 KW		
16240	4.0 KW		
16248	4.8 KW		

AllStyle Parts By Component

Part Number	Description	Tonnage	Models
Relay / Limits / Electrical			
17001	230 V Relay		
17002	230 V Relay	All Newer 230 V Units	
17004	230 V Relay	Repl. Older 230 V Units	VL, VLX
17006	230 V Relay	Repl. Older 230 V Units	SL, BL, ELB, EFM, AHF, AHK
22002	110 V Relay	All 110 V Units	
22003	Time Delay Relay		
22001	Hydronic Pump Relay		
23001	150 F Max Temp Limit		
23002	120 F Max Temp Limit		AHB Only
27001	Hydronic Pump	110V Pump	All 110 V Hydronic Units
27002	Hydronic Pump	220V Pump	All 220 V Hydronic Units
28001	Sequencer 15SH1		3, 4, 5, 5 KW
28002	Sequencer 15SH2		8, 10 KW
28003	Sequencer 15SH21		15 KW
28004	Sequencer 15SH22		20 KW
29001	Terminal Block		
30001	Transformer	230V / 24V	All 230 V Units
30002	Transformer	110V / 24V	All 110 V Units
20001	Freeze Stat	110V	Hydronic Units
20002	Enter Water Thermostat		Hydronic Units
19023	Feed Flowrator		Hydronic Units
Filters			
18001	18 x 18 x 1		VL
18002	20 x 20 x 1		EFM / WFM / VLX / VLW
18003	16 x 22 x 1		AHB / AHBW
18004	16 x 20 x 1		SL
18005	16 x 20 x 1		ELB / EFM / AHB
18006	22 x 22 x 1		AHF / K / P / W / BL
Grilles			
21001	RFG-1AS		VL
21002	RFG-2AS		VLX / VLW
21016	RFG-3AS		
21003	GRILL - MOUNT FLANGE		VL / VLX / VLW
21044	RTU-1AS		
21045	RTU-2AS		
21004	VL / VLX Thumb Screw Kit		VL / VLX / VLW
21007	CPG-C		AHB / AHBW
21008	CPG-D		AHB / AHBW
21011	AHB / F Thumb Screw Kit		AHB / AHF / AHK / AHFP
21012	Wall Hang Hit	1 - 3 Ton	VL / VLX
21013	Filter Door Clip	3.5 - 4 Ton	VLX
21014	HFG1CMM Magnet Fastener		
21019	Filter Access Panel		
21020	FK2-AS Filter Kit		VLX
21025	PB Grille Solit Panel		FA / FB Grille
21030	ACP-44S Solid Panel		HF Series
21031	ACP-44L Louvered Panel		HF Series
21032	ACP-51S Solid Panel		HF Series
21033	ACP-51L Louvered Panel		HF Series
21034	ACP-55S Solid Panel		HF Series
21035	ACP-55L Louvered Panel		HF Series
21036	ACP-61S Solid Panel		HF Series
21037	ACP-61L Louvered Panel		HF Series
21038	ACP-51S-INS Solid Panel	1 - 2.5 Ton	AH Series
21039	ACP-51L-INS Louvered Panel	1 - 2.5 Ton	AH Series
21040	ACP-55S-INS Solid Panel	3 Ton	AH Series
21041	ACP-55L-INS Louvered Panel	3 Ton	AH Series
21042	ACP-51C-INS Return/Supply		AHB Only
21043	ACP-51D-INS Supply Panel		AHB Only

AllStyle Parts By Component

Part Number	Description	Tonnage	Models
Fan Motors / Brackets			
24253	1/4 HP 3 SPD 1075 RPM	230V - 60HZ	Single Shaft
24332	1/3 HP 2 SPD 975 RPM	230V - 60HZ	Single Shaft
24503	1/2 HP 2 SPD 1075 RPM	230V - 60HZ	Single Shaft
24752	3/4 HP 2 SPD 1030 RPM	230V - 60HZ	Single Shaft
24260	1/8 HP 2 SPD 2625 RPM	230V - 60HZ	Double Shaft - HF Series
24255	1/4 HP 2 SPD 2625 RPM	230V - 60HZ	Double Shaft - HF Series
24335	1/3 HP 2 SPD 2625 RPM	230V - 60HZ	Double Shaft - HF Series
24505	1/2 HP 2 SPD 2625 RPM	230V - 60HZ	Double Shaft - HF Series
24254	1/4 HP 2SPD 1075 RPM	110V - 60 HZ	Single Shaft
24334	1/3 HP 2SPD 1075 RPM	110V - 60 HZ	Single Shaft
24504	1/2 HP 2SPD 1075 RPM	110V - 60 HZ	Single Shaft
24754	3/4 HP 2SPD 1075 RPM	110V - 60 HZ	Single Shaft
24256	1/4 HP 3 SPD 1675 RPM	110V - 60 HZ	Double Shaft - HF Series
24336	1/3 HP 3 SPD 1675 RPM	110V - 60 HZ	Double Shaft - HF Series
24506	1/2 HP 3 SPD 1675 RPM	110V - 60 HZ	Double Shaft - HF Series
24800	1/3 HP 2 SPD 1000RPM	110 V - 50 HZ	Single Shaft - China Units
25001	Motor Bracket	3/4 HP Motors	
25002	Breaker Bracket		VL Only
25003	Motor Bracket		HFD
Cabinets			
33001	Cabinet		AHB / BW / AHF / FP / FW
33002	Cabinet		VL
33004	Cabinet		SL
33005	Cabinet		BL
33006	Cabinet		SLW / SLDW
33007	Cabinet		BLW / BLDW
33008	Cabinet		VLW / VLX
33009	Cabinet		EFM / ELB
33010	Cabinet		WFM / WLB
33011	Cabinet		FMDH
33012	Cabinet		ASLB
33014	Cabinet		BLH / BLHW
33015	Cabinet		SLH / SLHW
33015	Cabinet		SLH
33016	Cabinet		AHK / KP / KW
33020	ASFM Metal Side Kit		ASFM
33021	Cabinet	1 - 2.5 Ton	AHL
33022	Cabinet	3 Ton	AHL
33025	ASLB Ductboard Side Kit		ASLB
33026	ASFM Ductboard Side Kit		ASFM
Hydronic Heating Coils			
35001	Hydronic Coils	B2 With Pump	BLW / BLHW / BLDW
35002	Hydronic Coils	B3 With Pump	BLW / BLHW / BLDW
35003	Hydronic Coils	B4 With Pump	BLW / BLHW / BLDW
35004	Hydronic Coils	B2 Without Pump	BLW / BLHW / BLDW
35005	Hydronic Coils	B3 Without Pump	BLW / BLHW / BLDW
35006	Hydronic Coils	B4 Without Pump	BLW / BLHW / BLDW
35007	Hydronic Coils	S2 With Pump	SLW / SLHW / SLDW
35008	Hydronic Coils	S3 With Pump	SLW / SLHW / SLDW
35009	Hydronic Coils	S2 Without Pump	SLW / SLHW / SLDW
35010	Hydronic Coils	S3 Without Pump	SLW / SLHW / SLDW
35011	Hydronic Coil	V2 With Pump	VLW
35012	Hydronic Coil	V3 With Pump	VLW
35013	Hydronic Coil	V2 Without Pump	VLW
35014	Hydronic Coil	V2 Without Pump	VLW
35015	Hydronic Coil	RPM 1F 120V Pump	
35016	Hydronic Coil	RPM 2F 120V Pump	
35017	Hydronic Coil	RPM 3F 120V Pump	